



PREMIUM ENGINE VALVE

AUTOMOTIVE



CAPT. ENGINE TECHNOLOGY Inc.



CAPT. PREMIUM ENGINE VALVE

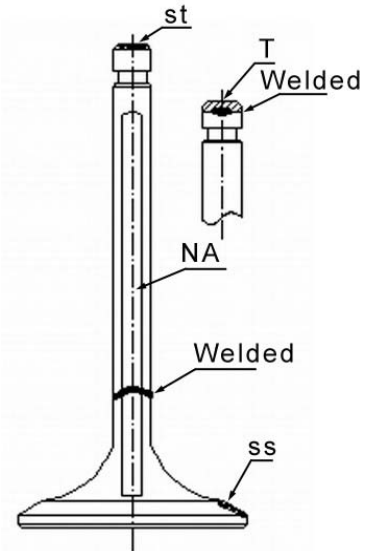
"CPAT." Engine Valve apply to different kinds of materials/special treatments according to OE specifications as follows:

MATERIAL SYMBOL

- W** Chromium-Manganium-Molybdenum-steel(JIS SCM4) , Alloy Steels applied to Inlet Valves
- H** Silicon-Chromium(Silichrome 1) (JIS SUH 11), apply to Inlet Valve only
- A** Silicon-Manganium-Molybdenum-steel(JIS SUH3) apply to Inlet Valves(may apply to Exhaust Valves of light engines)
- B** High Chromium-Magane Austenitic steel (JIS SUH36)(Anti-Magnetic Steel 21-4N), Apply to Exhaust Valves of heavy duty engines.
- D** DIN 1.4718(Inlet),DIN 1.4882(Exhaust)

SPECIAL TREATMENT SYMBOL

- S** ss Valve seat : Stellite No.6 or No.32(F)
st Tip:Stellite No.1
- T** Wafer welded valves Small wafer (normally in our A-class material), is welded at the valve tip
- C** Chromium plated valves stems
- N** Soft nitrided valve Soft nitrided finish,in other words, "Tuffride", or so called " Black Finish" in general, The significance, of these improvements resulting from soft nitriding is of course, an extneded valve life
- Na** Sodium cooled valves demands are increasing for racing car engines, for several operating purposes and for long run under high speed, Sodium affects lowering temperature at valve head
- Bi** These are required for some types of engines,to economically provide a valve with the head, resistance to heat,corrosion and mechanical stresses and the stem with good wear resistance. the bi-metallic Valve has the head made from a high temperature and corrosion resistant steel, and the stem made from a steel (usually martensitic) with good mechanical properties at,medium temperatures.This combination is highly recommended for Exhaust Valves.



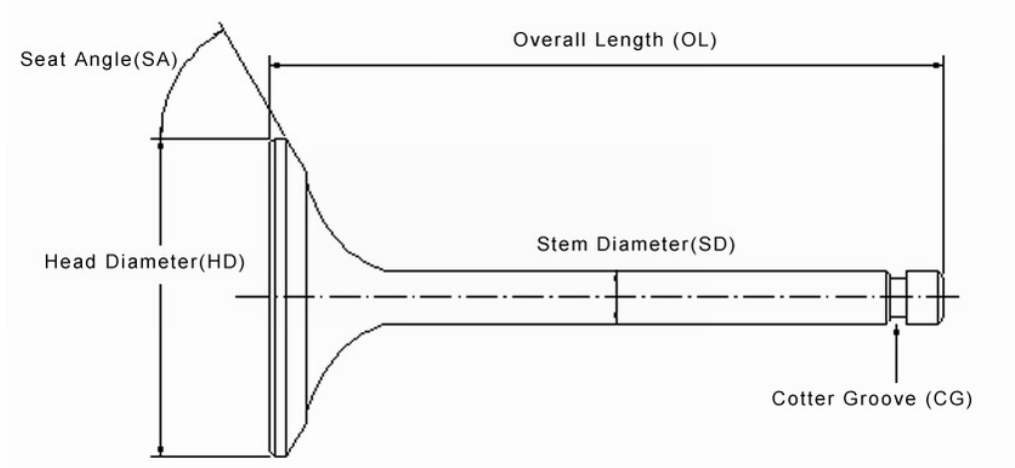
FACING ALLOYS

Facing Alloys	Ni	C	Co	Cr	W	Fe	Melt.P(C)	HRC	Apply
Stellite No1	--	1.0	Balance	28.0	4.0	3.0 Max	1.290	44	Seat
Stellite No6	--	2.5	Balance	30.0	12.0	3.0 Max	1.265	54	Tip

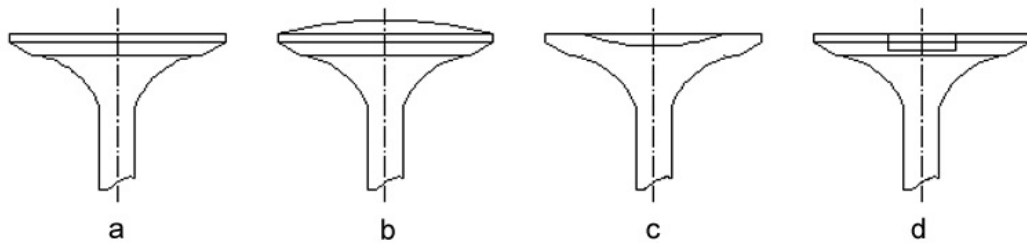
CHEMICAL ANALYSIS

CAPT Symbols	JIS	SAE	BS	C	Si	Mn	P	S	Ni	Cr	Mo	N	W	Approximate Equivalents		Apply
														TRW	EATON	
W	SCM4	4140	EN49	0.43	0.35	0.85	0.03	0.03	-	1.2	0.3	-	-			IN
	SNCM7	8645	AEN100D	0.40	0.40	0.65	0.03	0.035	0.9	0.75	0.2	-	-		I	IN
	SNCM8	4030	EN24	0.44	0.35	0.70	0.03	0.035	1.7	1.4	0.35	-	-	N		IN
A	SUH3			0.45	2.50	0.60	0.03	0.03	0.6	12.0	1.3	-	-			IN & EX
H	SUH11	HNV3	EN52	0.50	3.00	0.60	0.03	0.035	0.5	8.5	-	-	-			IN
B	SUH35 (21-N4)	EV8	349S54	0.58	0.35	10.00	0.04	0.045	4.5	22.0	-	0.4	-	S	H	EX
			EN54	0.50	1.75	1.20	0.045	0.045	10.0	14.0	3.0	-	-	T	D	EX
	SUH4	ENV6	EN59	0.85	2.25	0.60	0.03	0.03	1.65	20.5	-	-	-	K	K	EX
DIN	1.4882	EV9		0.45	2.50	0.60	0.03	0.03	14.0	15.0	-	-	3.0			EX(Diesel)
DIN	1.4718			0.40	3.50	0.60	0.03	0.03	0.6	9.5						in

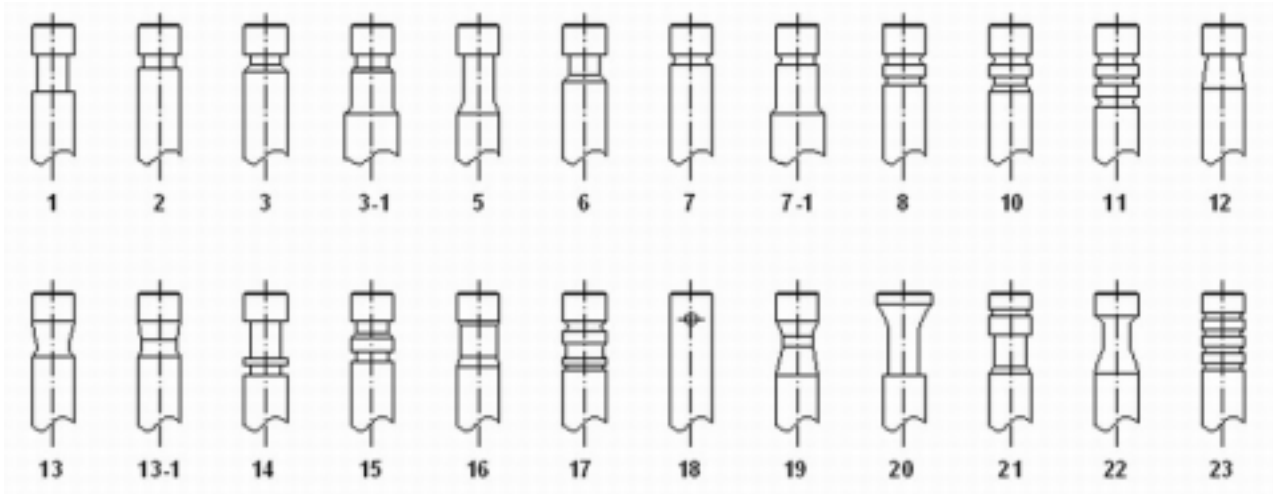
NAME OF PARTS



SHAPE OF HEAD (HS)



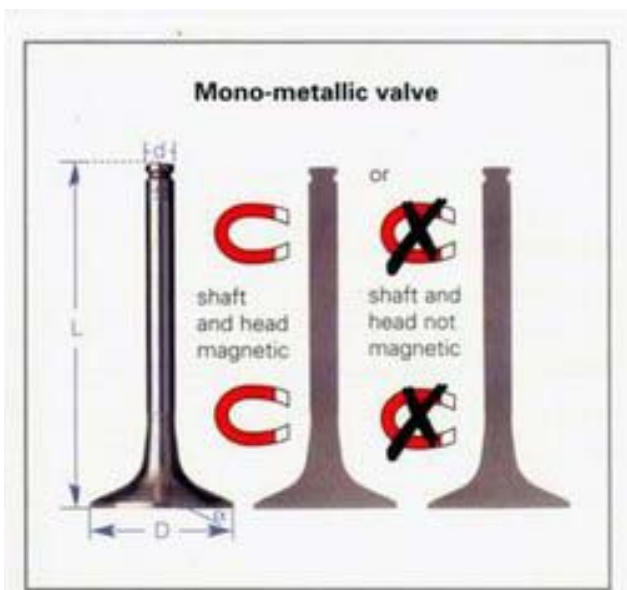
SHAPE OF COTTER GROOVE (CG)



TYPE

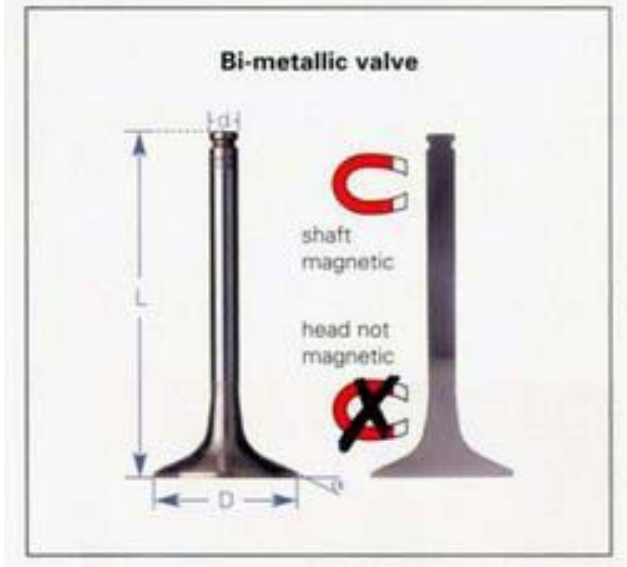
Mono-metallic valves

are produced efficiently in a warm-extruded process or in an upsetting process.



Bi-metallic valves

make it possible to use the ideal combination of materials both for the shaft and the end.



FUNCTION

Valves are precision engine parts and they have to perform four important tasks in the operation of the engine:

Blocking flow areas

Controlling gas exchange

Sealing the cylinders to the outside

Dissipating the heat absorbed by the exhaust gases from combustion to the valve seat ring and to the valve guide.

At temperatures of up to 800°C, each valve opens and close up to 70 times per second and during the lift of the engine it is subjected to an average of 300 million changes of load.

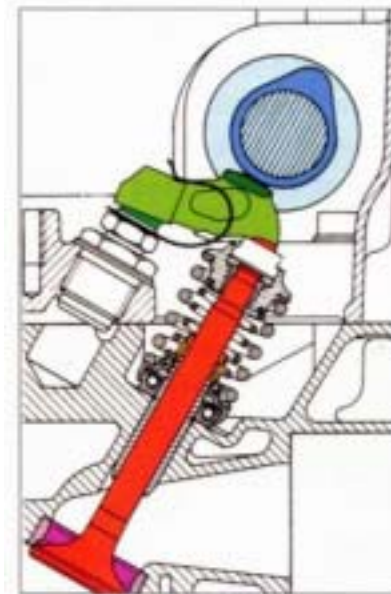
A distinction is generally made between inlet valves and exhaust valves.

Inlet valves

The valves-which are cooled by the circulation of unburnt gases-have to withstand high mechanical loads, especially upon contact with the valve seat.

Exhaust valves

In addition to the great mechanical demands made on them, exhaust valves are subjected to high thermal stresses and chemical corrosion, Therefore, other materials and more complex production processes are used when they are manufactured.



FITTING RECOMMENDATIONS

Valves are some of the components in the engine that are subjected to the greatest thermal and mechanical stresses. Their working life-and thus the working life of the engine is strongly dependent on their being installed correctly. Check the valves before installation to see if they have been damaged(for example,if they have been knocked etc.)Never install damaged or bent valves. Make sure that the valves are the right size for your engine.

GUIDE valves for the valve clearance

Valve stem diameter in mm	Inlet valve	Exhaust valve
6~7	10~40µm	25~55µm
8~9	20~50µm	35~65µm
10~12	40~70µm	55~85µm

Information and installation guidelines from the engine manufacturer must be observed in all cases. Before installing the valve, check the inner core of the valve spring head to see if it is worn or damaged, Check also whether the valve spring power is still within the values prescribed by the engine manufacturer. Be sure to use new valve collets and valve shaft seals when installing the valve. The valve shaft must be lubricated sufficiently with clean engine oil before it is inserted.



CAPT. PREMIUM ENGINE VALVE

CAPT No.	Vehicle Model Chassis Type	Engine Code	No. of Cyl.	CC	Year	IN EX	O.E. Part NO.	Remark
----------	-------------------------------	-------------	-------------	----	------	----------	---------------	--------

DAIHATSU

	CHARMANT 1500	A55	3A, 4A	4	1500	81-	IN EX	13711-15010 13715-15010	
	CUORE, HI JET, ATRAI	L45, 55, S40, 60, 65, 66	AB	2	550	79-	IN	13711-87701 13711-87702 13711-87705	
	CHARAD 1000	G10, 11,100	CB	3	1000	77-	EX	13715-87701 13715-87702	
	LIGHT BUS, DELTA2000, 3000	DY28 V10 11 12 15 17	B 2B	4	2972	72-	IN EX	13711-56010 13715-56010	
	DELTA 3000	V48	3B	4	3400	81-	IN EX	13711-56030 13715-56030	
	DELTA 3000	A7#	13B	4	3400	85-	IN EX	13711-58010 13715-58020	
	DELTA 2000	CB21	1C	4	2000	83-	IN EX	13711-64010 13715-64010	
	CHARADE 1000D	G30, 101	CL	3	1000	83-	IN EX	13711-87704 13715-87703	
	CHARADE/ROCKY			4	1300	88-92	IN EX	13711-87103 13715-87105	
	DELTA 2500	D200, 300 DV24, 32	DG	4	2530	68-	IN EX	13711-87304 13711-87305 5113-1641C 13715-87304 13715-87305 5113-1642C	
	DELTA 2600	DY26 SV26	DG	4	2530	69-	IN EX	13711-87306 13715-87307 13715-87309	
	LIGHT BUS, TAFT DELTA 3000 D2000 DELTA	F50 55 SV18 26 32 37 DV21 24 26 32 F60 V54	DG DL	4 4	2500 2800	67- 73-	IN EX	13711-87308 13715-87311	
	DELTA	V5#	DL	4	2800	85-	IN EX	13711-87312 13715-87319	
	CONSORTE, TAFT1000 COMPAGNO, BERLINA1000	EP30 F10, 40	FE FE1 FE10 FE20	4	1000	67-77	IN EX	13711-87101 13711-8710.2 4023-1641 13715-87101 13715-87102 13715-87103 4023-1642	
	CHARADE S69	G101	HC HD	4	1300	89-	IN EX	13711-87103 13711-87104 13715-87105 13715-87106	
	CHARMANT CONSORSRTE DELTA 750	A10, EP30 31 42 47 50 51 KB10, KD10	3KH 3KJ,3KU	4	1200	71-78	IN EX	13711-24010 13715-24010	
	CHARMANT 1300 DELTA 1300	A30, 35 KB11 12 26 KD11 20	4K 4KU	4	1300	78-	IN EX	13711-24011 13715-24012	



CAPT. PREMIUM ENGINE VALVE

CAPT No.	Vehicle Model Chassis Type	Engine Code	No. of Cyl.	CC	Year	IN EX	O.E. Part NO.	Remark
----------	-------------------------------	-------------	-------------	----	------	----------	---------------	--------

DAIHATSU

	DELTA 1500 DELTA 2000	DV23 SV23 V30 31 32 33 34	5R	4	2000	72-	IN EX	13711-44012 13715-44021	
	MICRO BUS, TAFTGRAN DELTA 1500	F20, 25 SV17	12R	4	1600	72-81	IN EX	13711-31030 13711-31040 13715-31030 13715-31040	
	CHARMANT 1400	A20, 25 SV17	T 2T	4	1407	75-79	IN EX	13711-25010 13715-25010	
	CHARMANT 1600 DELTAWIDE DELTA 1800	A40, 45 TB10, 11 TB15	2~ 12T 3~ 13T	4 4	1600 1800	76-81	IN EX	13711-25011 13715-25011	
	DELTA 1800 DELTA 2000	YB20, 21, 26	1Y 2Y 3Y 4Y	4 4 4	1600 1800 2000	73- 83- 83-	IN EX	13711-71010 13715-71010	
							EX	13715-87315	
	WIDE VAN CAB S40 VAN 550 CAB	S60		2	550	79-	IN EX	13711-87702 13715-87702	
	PROTON KANSIL	EB	EF CL	3	600		IN EX	13711-87202 13715-87202	
	KANSIL MALAYSIAN SPEC	FB10	EF CL	3	600		IN EX	13711-87201 13715-87201	
	MIJET						IN EX	13711-87706 13715-87705	
	CHARADE	CB		3	1000		IN EX	13711-87707 13715-87707	
	TRUCK BUS	KF, TC, ZM, HF, BG, RC	DK10 DK20	6 6	10200 10200	67-86 66-80	IN EX	2310-1301-01 13711-1130B 13711-1130C 2311 - 1302-01 13715-1150C	
	TRUCK;RANGER BUS;RAINBOW RANGER 4, 4. 5TON	RM, BM, HM, KM, KQ	DM100 DQ100	6 6	4300 4500	63-86 72-83	IN EX	2352-1301-00 2352-1301-01 13711-1170A 2352-1302-00 2352-1302-01 13715-1320A	
	TRUCK, BUS	RD35, ZC34, TC8000	DS50 DS60 DS140	6 6	7700 8000	57-61	IN EX	2872-1305-01 13711-1310A 2872-1306-01 13715-1450A	
	TRUCK BUS	KC, TE, RD KC320/420, KE102, 202 TE120/220,	DS70 DS90 DS80	6 6	7000 8000	60-88 62-68	IN EX	2874-1301-01 13711-1320B 2874-1302-01 13715-1460B	



CAPT. PREMIUM ENGINE VALVE

CAPT No.	Vehicle Model Chassis Type	Engine Code	No. of Cyl.	CC	Year	IN EX	O.E. Part NO.	Remark
----------	-------------------------------	-------------	-------------	----	------	----------	---------------	--------

DAIHATSU

	TRUCK BUS	KB,RE	EB100	6	9000	67-77	IN	2330-1301-12	
			EB200	6	9000	67-79		2330-2301-20	
		KB380/TC30					EX	13711-1140A 13711-1141 2330-1302-12 13715-1290A	
	TRUCK	KBI12, 303, 304	EB300	6	9800	70-	IN	13711-1030A	
							EX	13715-1040A	
	TRUCK BUS	KB, BY, RE	EB300 EB400	6 6	9800 9800	71-86 77-88	IN	13711-1090 13711-1091A	
							EX	13715-1122A 13715-1500	
	TRUCK;RANGER BUS;RAINBOW	FD, K J, AM, RL KL3#/4#,AM 100/200	ECI00	6	5000	69-	IN	2380-1301-10 13711-1180A	
							EX	2380-1302-10 13715-1330A	
	TRUCK	KB, KS, KF, TC, WP ZC, ZG, ZH, ZM	ED100 (NEW)	6	11600	71-77	IN	2400-1320-00 13711-1250B	
							EX	2400-1302-20 13715-1390B	



CAPT. PREMIUM ENGINE VALVE

CAPT No.	Vehicle Model Chassis Type	Engine Code	No. of Cyl.	CC	Year	IN EX	O.E. Part NO.	Remark
----------	-------------------------------	-------------	-------------	----	------	----------	---------------	--------

HINO

	TRUCK	KF, TC, ZM, HF, BG, RC	DK10	6	10200	67-86	IN	2310-1301-01	
	BUS		DK20	6	10200	66-80		13711-1130B 13711-1130C	
	TRUCK;RANGER	RM, BM, HM, KM, KQ	DM100	6	4300	63-86	IN	2352-1301-00 2352-1301-01 13711-1170A	
	BUS;RAINBOW RANGER 4, 4. 5TON		DQ100	6	4500	72-83		EX	
	TRUCK, BUS	RD35, ZC34, TC8000	DS50	6	7700	57-61	IN	2872-1305-01	
			DS60 DS140	6	8000			EX	
	TRUCK	KC, TE, RD	DS70	6	7000	60-88	IN	2874-1301-01	
	BUS		DS90 DS80	6	8000	62-68		EX	
	TRUCK	KB,RE	EB100	6	9000	67-77	IN	2330-1301-12	
	BUS		EB200	6	9000	67-79		13711-1140A 13711-1141	
	TRUCK	KB380/TC30					EX	2330-1302-12	
								13715-1290A	
	TRUCK	KBI12, 303, 304	EB300	6	9800	70-	IN	13711-1030A	
								EX	
	TRUCK	KB, BY, RE	EB300	6	9800	71-86	IN	13711-1090	
	BUS		EB400	6	9800	77-88		EX	
	TRUCK;RANGER	FD, K J, AM, RL KL3#/4#,AM 100/200	EC100	6	5000	69-	IN	2380-1301-10	
	BUS;RAINBOW							EX	
	TRUCK	KB, KS, KF, TC, WP ZC, ZG, ZH, ZM	ED100 (NEW)	6	11600	71-77	IN	2400-1320-00	
								EX	
	TRUCK	KE702	EF100	V8	13804	71-	IN	2390-1301-20	
		KA, KF, TC, ZM	EG100	V8	14886			EX	
	TRUCK	KA, KF, TC, ZM	EF100	V8	13800	71-75	IN	13711-1110A	
	BUS		EF100T	V8	13800	71-		13711-1330A	
		RV	EG100 (NEW)	8	14900	71-78	EX	13715-1140A	



CAPT. PREMIUM ENGINE VALVE

CAPT No.	Vehicle Model Chassis Type	Engine Code	No. of Cyl.	CC	Year	IN EX	O.E. Part NO.	Remark
----------	-------------------------------	-------------	-------------	----	------	----------	---------------	--------

HINO

	TRUCK, BUS	ZM, TC, RS, RV	EF300	V8	14232	75-79	IN	13711-1370A	
	TRUCK, BUS	KF, ZM, KS, RS	EF350	V8	14779	79-		13711-1401A	
	TRUCK, BUS	KF, TC, WP, ZM, RV	EF500	V8	15459	76-		13711-1050A	
	TRUCK	ZM				76-81	13715-1061B		
	TRUCK	SH, SS	EF700	V8	15920	82-	EX	13715-1060A	
			EV700	VI0	19900				
	TRUCK, BUS	FR, FS, RU	EF550	V8	16300	81-	IN	13711-1012	
	TRUCK, BUS	FS, FU, RU	EF750	V8	16745	81-		13711-1380A	
								13711-1390A	
								13711-1420A	
								13711-1450A	
							13711-1451A		
							EX	13715-1012	
								13715-1013A	
	TRUCK;RANGER BUS;RAINBOW	K J, KL, WB, RL BX, AM	EH100	6	5900	72-	IN	2382-1301-00	
							EX	2382-1302-00	
								13715-1350A	
	TRUCK;RANGER BUS;RAINBOW	KL, kU, kJ RD, KR	EH300 EH500	6	6200	74-80	IN	2383-1301-10	
							EX	13711-1100A	
								13711-1210A	
								2383-1302-10	
								13715-1130A	
								13715-1131	
								13715-1360A	
								13715-1100	
	TRUCK;RANGER BUS;RAINBOW	FT, FD, GD, FF, KR, KG	EH700	6	6400	77-	IN	13711-1081D	
		RD, RR, R J, LB						13711-1470	
								13711-1471	
								13715-1220A	
								13715-1520A	
			H06C	6	6500	83-86	EX	13715-1110	
								13715-1111C	
								13715-1081	
	TRUCK	FH, KB, KF, WD, ZC, FC	EK100	6	13267	75-	IN	13711-1011A	
	BUS	RC	EK200			80-90	EX	13715-1010	
								13715-1011A	
								13715-1000	
	TRUCK;RANGER	FG, LB, KK	EL100 YA70	6	7862	78-	IN	13711-1350B	
							EX	13715-1070B	
	TRUCK	FH	EM100	6	9419	81-	IN	13711-1410B	
	BUS, BLUERIBBON	RV					EX	13711-1500	
								13715-1240B	



CAPT. PREMIUM ENGINE VALVE

CAPT No.	Vehicle Model Chassis Type	Engine Code	No. of Cyl.	CC	Year	IN EX	O.E. Part NO.	Remark
----------	-------------------------------	-------------	-------------	----	------	----------	---------------	--------

HINO

	TRUCK	FN, FR, GN	EP100	6	8800	81-	IN EX	13711-1430A 13711-1431A 13711-1530A 13711-1541A 13715-1260A 13715-1580	
	BUS	RC	ER100 ER200 YA89	6	11600	78-	IN EX	13711-1360A 13711-1580A 13715-1470A	
	TRUCK, FR		F20	6	19800		IN EX	13711-1610 13711-1611 13715-1750	
	TRUCK		H07C H06CT	6 6	6700 6500		IN EX	13711-1550 13715-1590	
	TRUCK, FR		P09 (11)	6	19500		IN EX	13711-1600B 13711-1590A 13711-1591A 13715-1620A	
	BUS;RAINBOW TRUCK;RANGER	AC140 3M	W04D W06D	4 6	4000 5800	83-	IN EX	13711-1441 13711-1443 13711-78010 13711-1520 13711-1521 13715-1251 13715-1570 13715-78010	
	TRUCK	KF, ZM(OLD), ED100	ED100	6	12000	71-75	IN EX	13711-1240 2400-1301-24 13715-1380 2400-1302-04	
							EX	13715-1090	
	TRUCK		DS56	6			IN	13711-1340	



CAPT. PREMIUM ENGINE VALVE

CAPT No.	Vehicle Model Chassis Type	Engine Code	No. of Cyl.	CC	Year	IN EX	O.E. Part NO.	Remark
----------	-------------------------------	-------------	-------------	----	------	----------	---------------	--------

HONDA

	CIVIC1200	SB1	EB1 ED2	4	1200	72-	IN	14711-611-000	
							EX	14721-611-000	
							AUX	14731-657-670 14731-657-671	
	CIVIC1200	SK, SL, SP, SS SG, SH, SC, SF	EB5 ED EE	4	1200	78-	IN	14711-634-000 14711-634-920 14711-634-921 14711-634-671	
							EX	14721-631-920 14721-634-000 14721-634-671 14721-634-920	
							AUX		
	CIVIC1500, COUNTRY1500, BALLADE 1500	SE, VB, SG, SH, SC SF, SR, ST, WD	EC ED EF EJ	4	1500	79-	IN	14711-671-000	
						79-	IN	14711-671-003	
						EX	14721-657-671 14721-657-673 14721-657-000 14721-657-003		
AUX	14731-657-003								
	CIVIC1200 ACCORD1600	SC, SG, SH SJ	EE EF	4	1238	75-78	IN	14711-611-000	
				4	1599	76-79	EX	14721-657-673 14721-657-003	
				AUX	14731-657-003				
	ACCORD CIVIC	B, SJ-1	EF EJ	4	1599	78-	IN	14711-671-000 14711-671-003	
				4	1335		EX	14721-657-671 14721-657-672 14721-657-673	
				AUX	14731-657-671				
	CIVIC1500 ACCLAIM	SL, ST, SR	EJ EM	4	1500	82-	IN	14711-PA6-000	
					1300		EX	14721 - PA6-000	
					AUX		14731-PA6-000		
	ACCORD	B, SH-1	EK	4	1750	76-78	IN	14711-671-000 14711-671-003	
							EX	14721-657-010 14721-657-671	
							AUX	14731-657-671	
	ACCORD1800, PRELUDE1800 VIGOR1800	SM, SZ, SN	EK	4	1800	78-	IN	14711-PC1-000	
							EX	14721-PC1-000 14721-PC3-600	



CAPT. PREMIUM ENGINE VALVE

CAPT No.	Vehicle Model Chassis Type	Engine Code	No. of Cyl.	CC	Year	IN EX	O.E. Part NO.	Remark
----------	-------------------------------	-------------	-------------	----	------	-------	---------------	--------

HONDA

	ACCORDE 1800, PRELUDE 1800	SM100, SN10	EK	4	1750	80-	IN EX AUX	14711-689-000 14721-676-641 14721-689-000 14721-689-660 14731-689-000	
	ACCORD		EK	4	1750	82-	EX	14721-PC3-600 14721-PC7-000 14721-PH1-600 14721-PE7-000	
	CIVIC1300	SK,SL,SP,SS,VE, VC	EN	4	1300	79-	IN EX AUX	14711-634-000 14711-634-920 14721-PA1-000 14721-PA1-671 14731-PA6-660	
	ACCORD1600, QUINT1600 PRELUDE QUINTET	SV, SU, SY	EP EK1	4	1600	80-	IN EX AUX	14711-PB2-000 14721-676-641 14721-689-660 14721-689-000 14721-PB2-000 14731-PB2-000	
	ACCORD1800, PRELUDE1800 ,ACCORD1600, VIGOR1800	AB AD AC (3 VALVE)	ES EY	4 4	1800 1600	83- 83-	IN EX AUX	14711 - PC6-000 14721-PC6-000 14721-PH1-000 14731-PC6-000	
	CIVIC1300, BALLADE1300,CIVIC1500, BALLADE1500	AG, AK, A J, AE, VJ AH, AK, AF (3 VALVE)	EV EW	4 4	1300 1500	73- 83-	IN EX AUX	14711 -P E0-000 14721-PE0-000 14731-PE0-000	
	CIVIC1300, 1500 BALLADE1300, 1500	AG, AK, A J, SE, AM	EV EW	4 4	1300 1500	84-	IN EX	14711-PE0-660 14721-PE0-660	
	ACCORD, INTEGRA, CR-X PRELUDE	D16A, ZC BS, BT	A15 A18 A20	4 4 4	1600 1800 2000	84-87	IN EX	14711 -P D4-000 14711 - PG6-000 14721-PG6-000	
	LUGEND PRELUDE		B20A C20A C27A	4 6	2000		IN EX	14711 -P H 3-000 14721-PH3-000 14721-PH7-000	
	CIVIC, CR-X INTEGRA1600 CIVIC1500	D13, 15B-ZC	D13 ZC D15	4	1300 1600 1500	88-91	IN	14711-PM3-000 14711 -P R4-A00	
							AUX	14731-PD2-000 14731-PD2-010	



CAPT. PREMIUM ENGINE VALVE

CAPT No.	Vehicle Model Chassis Type	Engine Code	No. of Cyl.	CC	Year	IN EX	O.E. Part NO.	Remark
----------	-------------------------------	-------------	-------------	----	------	----------	---------------	--------

HONDA

	CIVIC/DEL SOL CIVIC/DEL SOL(W/VTEC)		D16	4 4	1600 1500	92- 92-	IN EX	14711 - P08-000 14711 -PO 7-000 14721-P07-000 14721-P08-000	
	ACCORD1800 2000	CB, CD	F18 F20	4	1800 2000	89-	IN EX	14711 - PT0-000 14711 - POJ-A00 14711 - P0 B-A00 14721-PT0-000 14721-PT0-B00	
	PRELUDE		F22	4	2300	92-	IN EX	14711 -PT2-000 14721-PT2-000	
	ACCORD/PRELUDE (W/O VTEC 92 ON)	DX, LX	F22A	4	2200	90-	IN EX	14711 - PT3-A00 14711-PT5-000 14721-PT3-A00 14721-POJ-A00 14721 -PT6-A00	
	LEGEND			6		91-	IN EX	14711-PY3-000 14721-PY3-000	
	PRELUDE (W/FUEL INJECTION)			4	2100	90-91	EX IN	14721 -P K2-000 14711-P13-000	
	TN550		EH	2	550	79-	IN	14711-371-000 14711-679-620	
							EX	14721-679-620 14721-371-000	
	CIVIC		B16A	4		94-97	IN EX	14711 -P R3-000 14721-PR3-000	
	CIVIC					96-98	IN EX	14711 - P2A-000 14721-P2A-000	
							IN EX	14711 - POG-A00 14721-POG-A00	
							IN EX	14711-PV1-000 14721-PV1-000	
	CITY JAZZ AA/VF		ER	4	1200	84-	IN EX	14711-PC0-000 14721-PC0-000	
	UNIVERSAL SMALL ENGINE						IN EX	14711-ZF0-000 14721-ZF0-000	
	UNIVERSAL SMALL ENGINE						IN EX	14711-ZF1-000 14721-ZF1-000	



CAPT. PREMIUM ENGINE VALVE

CAPT No.	Vehicle Model Chassis Type	Engine Code	No. of Cyl.	CC	Year	IN EX	O.E. Part NO.	Remark
----------	-------------------------------	-------------	-------------	----	------	----------	---------------	--------

ISUZU

	EFL, ELF250, ELF350, EFL, BUS	BE20, BE22, BK, BK32, BL	4BA1		2800	73-	IN	1-12551-050-0 1-12551-054-0	
	JOURNEY-K, JOURNEY-L,	BL35/36, BLD30, BY, BY31	4BB1	4	3600	73-		5-12551-006-0 5-12551-036-0 5-12551-042-0 5-12551-048-0 5-12551-024-0 8-94461-957-0 8-94461-957-1 8-97028-702-0	
	JOURNEY-M, FORWARD,	CCM	4BC1	4	3200	79-		8-94129-550-0 8-97034-379-0	
	TORWARDBUS	1CS11/31, DBR, EDM, FBR,	4BC2	4	3200	79-		9-12551-801-0 8-94414-833-0 8-94414-833-1	
		FDR, JBR, KA20,	4BD1	4	3800	80-	EX	1-12552-025-0 1-12552-025-1	
		KS10/11/12/20/21/22/30	6BB1	6	5400	72-		5-12552-005-0 5-12552-025-0	
		31/32	6BD1	6	5700	76-		5-12552-023-0	
		KT, KT25/26/35/36,SBR,	6BF1	6	6100	80-		5-12552-024-0 5-12552-030-0 5-12552-031-0 5-12552-036-0	
		SBR320/560,SCR,SDR,TLD	C330	6	5000	70-		5-12552-043-0 5-12552-042-0 5-12552-042-1	
		TLD24/26/34/44/46/54	D500	6	5000	70-		5-12552-048-0	
		55/56		6	5800			9-12552-240-0	
		TLD64/65/66,TR,TR20/70,	4BD1					8-94461-958-0	
		TWD FTR	4BE1					8-97028-706-0 8-97028-707-1 8-97028-704-0	
		NPR						1-12552-052-0 1-12552-079-1 1-12552-083-0 1-12552-115-0	
	FORWARD ELF		6BG1	6	6500			8-94333-114-0 8-94414-834-0 8-97028-707-1 8-97028-706-0	



CAPT. PREMIUM ENGINE VALVE

CAPT No.	Vehicle Model Chassis Type	Engine Code	No. of Cyl.	CC	Year	IN EX	O.E. Part NO.	Remark
----------	-------------------------------	-------------	-------------	----	------	----------	---------------	--------

ISUZU

	JOURNEY-S, FLORIAN	PAD, KA, KAD, KBD	C190 C200	4	2000		IN	9-12551-093-2 9-12551-093-0 8-94130-749-0	
	ELF150, FASTER TROOPER	KA040/50	C221	4	2200	71-		9-12551-802-0 9-12551-802-1 9-12551-037-0 8-94026-571-0	
	FLORIAN	KBD20/25/41/46 TLD23143153163 UBS52/PAD	C240	4	2400		EX	9-12552-801-0 9-12552-014-0 8-94118-839-0 5-12552-026-0 5-12552-071-0 5-12552-090-0 8-94027-307-0	
	JOURNEY-S, FLORIAN, ELF150, 117COUPE, BIGHORN, TROOPER	PAD, KA, KAD, KBD PAD, UBS, VFR, KBD	C190 C223 C230 C240	4 4 4	2000 2200 2400	71- 79- 69-	IN	5-12551-028-0 5-12551-030-0 8-94030-688-0 8-94029-351-0	
	LUVTRUCK, JOURNEY-M, S, ELF150/250 RODEO	KAD, TLD, BLD, KA, KUD	G180				EX	5-12552-034-0 5-12552-034-1 5-12552-034-2 5-12552-038-0 8-94030-689-0 8-94029-352-0	
	DIESEL TRUCK, BUS	TY20/41 BY30	D370 D400	6	4000	65-70	IN	9-12551-142-0	
							EX	9-12552-143-0 9-12552-131-0	
	DIESEL TRUCK, BUS	TD, BU	D920	6	9200	68-	IN	9-12551-109-0 9-12551-120-0 9-12551-134-0	
	DIESEL TRUCK, BUS	TDJ, CTM SLR	E110 6QA1	6	11000 10200	80- 80-	EX	9-12551-150-0 9-12551-105-0 9-12552-153-0 9-12552-198-0 9-12552-168-0 9-12552-197-0 9-12552-262-0 9-12552-262-1 9-12552-254-0 9-12552-167-0 9-12552-167-1 9-12552-262-2 9-12552-179-0 9-12552-179-1 9-12552-058-0	



CAPT. PREMIUM ENGINE VALVE

CAPT No.	Vehicle Model Chassis Type	Engine Code	No. of Cyl.	CC	Year	IN EX	O.E. Part NO.	Remark
----------	-------------------------------	-------------	-------------	----	------	----------	---------------	--------

ISUZU

	DIESEL TRUCK, BUS	TXD10/60, BA343	DA640	6	6300	56-	IN	9-12551-022-0 9-12551-072-0 9-12551-073-0	
	DIESEL TRUCK, BUS	BR10/20, BB341	DA120	6	6100	56-	EX	9-12552-035-0 9-12552-105-0 9-12552-102-0 9-12552-054-0 9-12552-150-0	
	DIESEL TRUCK, BUS	TXD30/70, BA351	DA120	6	6100	65-	IN	9-12551-071-0	
	DIESEL TRUCK, BUS	BR351, BB351	DA640	6	6300	65-	EX	9-12552-103-0 9-12552-121-0 9-12552-157-0 9-12552-151-0	
	DIESEL TRUCK	TSD, TWD, TXD	DA120	6	6100	58-81	IN	9-12551-132-0 9-12551-125-0	
	DIESEL TRUCK, BUS	BXD, SFR, TWD, BA, BF, (DUAL-GROOVE)	DA640	6	6300	69-	EX	9-88511-175-0 9-88511-177-0 9-12552-177-0 9-12552-208-0 9-12552-217-0 9-88511-176-0 9-88511-178-0 9-12552-054-0 9-12552-169-0	
	DIESEL TRUCK	TSD, TWD, TXD	DA640	6	6300	73-	IN	1-12551-002-0 1-12551-008-0 1-12551-003-0 1-12551-013-0	
	DIESEL TRUCK, BUS	BXD, SFR, TWD BA, BF, BR (DUAL-GROOVE)	DA120 DA220 DA640T	6	6100		EX	1-12552-001-0 1-12552-003-1 1-12552-003-0 1-12552-007-0	
	DIESEL TRUCK	TD40/90 TP60/70/80	DH100	6	10200	63-	IN	9-12551-030-0 9-12551-077-0	
							EX	9-12552-154-0 9-12552-089-0 9-12552-049-0 9-12552-061-0 9-12552-111-0 9-12552-207-0 9-12552-127-0	
	DIESEL TRUCK, BUS	SLR, TD, BD, CCM, BU CLM	DH100	6	10200	70-	IN	9-12551-188-0 9-12551-188-1 9-12551-197-1	
							EX	9-12552-251-2 9-12552-251-0 9-12552-251-1	



CAPT. PREMIUM ENGINE VALVE

CAPT No.	Vehicle Model Chassis Type	Engine Code	No. of Cyl.	CC	Year	IN EX	O.E. Part NO.	Remark
----------	-------------------------------	-------------	-------------	----	------	----------	---------------	--------

ISUZU

	DIESEL TRUCK, BUS	BUK SERIES VPZ	E120	6	12000	70-	IN EX	1-12551-010-0 1-12551-010-1 9-12551-192-0 1-12552-010-0 1-12552-010-1 9-12552-256-0 9-12552-256-1	
	DIESEL TRUCK, BUS	SPG, SPK, SPM, SPR, SPZ TG, TMK, YPE BU, CPA	E120T 8MA1	6	12000	75-	IN EX	1-12551-004-2 1-12551-004-0 1-12551-012-0 1-12551-057-0 1-12551-057-1 1-12551-025-2 1-12551-129-0 1-12551-047-1 1-12551-047-0 1-12552-012-0 1-12552-006-0 1-12552-013-2 1-12552-013-0	
	GEMINI1800, FARGO	PFD60, WFR50	4FB1	4	1800	82-	IN	8-94216-589-0 8-94216-589-1	
	FARGO, ASKA2000 FARGO	WFR51 J J510 WFS53	4FC1 4FD1	4 6	1995 2238	82- 83-	EX	8-94108-307-0 8-94216-590-0 8-94216-590-1	
	FARGO GEMINI	WFK L WFR51	4FG1 4FBI(T) 4FC1	4 4	1995	92-	IN EX	8-94449-047-0 8-94178-106-0 8-94178-106-2 8-94449-048-0 8-94178-107-2	
	WAPS BELLET LIGH		G130 G150 G161	4 4 4	1600	63-	IN EX	5-12551-050-0 5-12551-005-0 9-12552-175-0 9-12552-098-0 9-12552-129-0 9-12552-215-0 9-12552-128-0 9-12552-098-0	
	BELLET, FLORIAN FASTER(LUV), ELF	PR50/91, PA20 KB20, KA51	G161	4	1584	68-	IN EX	9-12551-159-0 9-12551-128-0 9-12552-175-0 9-12552-215-0	



CAPT. PREMIUM ENGINE VALVE

CAPT No.	Vehicle Model Chassis Type	Engine Code	No. of Cyl.	CC	Year	IN EX	O.E. Part NO.	Remark
----------	-------------------------------	-------------	-------------	----	------	----------	---------------	--------

ISUZU

	FLORIAN 1600, BELLET1600	PA, KA, KB, PF, KR	G161Z	4	1600	66-	IN	8-94205-977-0 8-94200-742-0	
	GEMINI1600, FASTER, FL5500	PA, PF, KB	G180	4	1800	69-	EX	8-94200-745-0	
	117COUPE1800, GEMINI1800, FLORIAN	JR, PA, UBS, KB	G181Z	4	2000	80-		8-94200-977-0	
	PIAZZA2000, 117COUPE2000 TROOPER, IMPULSE		G200					8-94200-743-0 8-94212-835-0	
	CHEV, LUV1800	KB30/40	G161Z	4	1600	80-	IN	8-94217-178-0	
			G180	4	1800		EX	8-94119-147-0	
			G181Z	4	2000			8-94217-179-0	
G200		8-94218-179-0							
	CHEV, LUV 10-11(D)		G180	4	1817	80-82	IN	5-12551-030-0	
							EX	5-12552-038-0	
	ELF 2500		4JB1	4	2000		IN	8-94133-275-1 8-94133-275-0	
								4JA1	8-94464-921-0
	ELF 2700			EX	8-94247-875-1 8-94133-875-1 8-94433-245-0 8-97010-463-0				
	DIESEL TRUCK	SKS, SKW, SVZ	8PA1	V8	10000	76-	IN	1-12551-005-0 1-12551-005-1 9-89930-820-0	
	DIESEL TRUCK, BUS	SRG, SRK, SRM, SRZ, CRA	10PA1	V10	12500	74-		1-12551-030-3 1-12551-030-1	
	DIESEL TRUCTOR	VTR, VTZ, WR, WZ	8PB1					1-12551-030-0 1-12551-030-2	
				12PA1	V12	14958	76-	EX	1-12552-005-0
				10PB1	V8				1-12552-015-3 1-12552-015-0
	DIESEL TRUCK	CVR, CXM, CXG, CXK	12PB1	V12	16826				1-12552-015-1
	DIESEL TRUCK	CXM, CXH	8PC1	V8	12011	83-			1-12552-015-2
	DIESEL TRUCK	CXZ	10PC1	V10	15014	83-			1-12552-015-4
				12PC1	V12	18017	83-		1-12552-026-0
	TRUCK	SHM, CXM, CXG	6RA1	6	12023	81-	IN	1-12551-057-0	
	TRUCK, BUS	CXM, CQA, CQM	6RB1	6	13741	81-		1-12551-129-0 1-12551-015-4	
			(6RB2)				EX	1-12552-028-0 1-12552-013-2	
	TRUCTOR	TV30ES TV30ZE	V170	V8	16500	70-75	IN	9-12551-182-0 9-12551-177-0	
		TV40ZE TV40ZB					EX	9-12552-244-0	



CAPT. PREMIUM ENGINE VALVE

CAPT No.	Vehicle Model Chassis Type	Engine Code	No. of Cyl.	CC	Year	IN EX	O.E. Part NO.	Remark
----------	-------------------------------	-------------	-------------	----	------	----------	---------------	--------

ISUZU

	GEMINI1500 I-MARK	JT190/LN	4XC1	4	1500	85-	IN	8-94250-977-0	
							EX	8-94151-069-0	
	FARGO1600 FARGO1800, ASKA1800	WFR10 WFR11, JJ110	4ZA1 4ZB1	4	1600 1800	81- 81-	IN	8-94232-096-0	
							EX	8-94251-273-0	
	ASKA2000 IMPULSE TROOPER	J J120	4ZC1 4ZD1	4	2000	83-	IN	8-94251-275-0	
							EX	8-94153-969-0	
	GENIMI-DIESEL FARGO		4EC1 4FCI(J)	4	1500 2000	86-	IN	8-94110-016-3	
							EX	8-94110-016-0	
							IN	8-94370-173-1	
							EX	8-94110-017-3	
	TROOPER	UBS16	4ZD 1	4	2300	86-	IN	8-94110-017-4	
							EX	8-94110-017-0	
							IN	8-94174-222-1	
							EX	8-94174-223-1	
							EX	8-94325-530-1	
							IN	5-12551-001-0	
	TROOPER/RODEO/PICK-UP V6 AMIGO/TROOPER/PICK-UP ELF	GM14031328 GM14031332 D201		6	2800	91-92	IN	8-94115-059-3	
							EX	8-97037-059-1	
				4	2000		IN	8-14031-328-0	
							EX	8-14031-332-0	
	IMPULSE / STYSLUS DOHC TROOPER / RODEO V6 DOHC	GM94360140		4	1600	89-92	IN	8-94130-749-0	
							EX	8-94153-576-0	
							IN	8-94118-839-0	
							EX	8-94153-577-1	
							IN	8-94360-140-1	
							EX	8-94325-529-0	
							IN	8-94325-529-0	
							EX	8-94325-529-1	



CAPT. PREMIUM ENGINE VALVE

CAPT No.	Vehicle Model Chassis Type	Engine Code	No. of Cyl.	CC	Year	IN EX	O.E. Part NO.	Remark
----------	-------------------------------	-------------	-------------	----	------	----------	---------------	--------

ISUZU

	TROOPER / RODEO V6 SOHC	6VD1	6	3200	91-	IN	8-97027-499-1 8-97027-092-0		
				!		EX	8-97014-174-0 8-97014-174-1		
	ELF	TLG G201	6	3200	91-	-IN	8-97015-546-0 8-97015-546-2 GM97015546		
						EX	8-97015-547-0		
						IN	9-12551-045-0		
						EX	9-12552-056-0		
	LUV2, 3, 4 (SERIES) FLORIAN	G180/Z	4	1800	72-	IN	9-12551-174-0		
		G200					9-12551-606-0		
	GEMINI	KB	4	2000		EX	9-12552-607-0		
		G126					9-12552-601-0		
	ELF TRUCK	C201/D201	4			EX	9-12552-128-0		
		ETR12/FSR12 LT312/LR312	6BG1	6	6500	84-	IN	1-12551-081-0	
							1-12551-063-0 1-12551-082-0 1-12551-083-0 1-12551-139-0		
						EX	1-12552-027-0 1-12552-079-0 1-12552-083-0 1-12552-052-0 1-12552-080-0		
						IN	8-90232-973-0		
						EX	8-90232-977-0		
	GEMINI, FARGO					IN	8-94450-952-0		
						EX	8-94450-953-0		
		4FC1 (T)	4	1800		IN	8-94463-173-0		
	GEMINI, FARGO					EX	8-94463-174-0		
		4FCI(T)	4	2000		IN	8-94250-977-0 8-94151-069-0		
						EX	8-94110-017-4 8-94110-017-0 8-94115-059-3 8-97037-059-1 8-94110-017-3		



CAPT. PREMIUM ENGINE VALVE

CAPT No.	Vehicle Model Chassis Type	Engine Code	No. of Cyl.	CC	Year	IN EX	O.E. Part NO.	Remark
----------	-------------------------------	-------------	-------------	----	------	----------	---------------	--------

ISUZU

	TRUCK	CXH/CXM CXZ	10PD1	10	17,000		IN EX	1-12551-136-1 1-12551-127-0 1-12552-097-0 1-12552-064-0	
							IN	8-97135-036-1	
	ELF TRUCK	KPR59	4HF1		4200	89-	IN EX	8-97033-864-1 8-97060-415-0 8-97019-337-0	
	TRUCK		6BD1				IN EX	1-12551-049-0 1-12552-063-0	
			6SA1				IN EX	1-12551-092-0 1-12552-136-0	
							IN EX	1-12551-089-0 1-12552-085-0 1-12552-063-0	
	TROOPER	UBS17	4EEI		2600	88-	IN EX	8-94447-218-0 8-94447-026-0	
	ELF	NKR58	4FA1 4FE1		1500 1500	82- 85-	IN EX	5-12551-033-2 5-12552-040-2	



CAPT. PREMIUM ENGINE VALVE

CAPT No.	Vehicle Model Chassis Type	Engine Code	No. of Cyl.	CC	Year	IN EX	O.E. Part NO.	Remark
----------	-------------------------------	-------------	-------------	----	------	----------	---------------	--------

MAZDA

	FAMILIA1300 323 1300	BD1031	E3	4	1296	80-	IN	0324-12-111A E301-12-111 E501-12-111	
			E5	4	1490	80-			
	FAMILIA1400 323 1400 FAMILIA1500 323 1500 808 1300 BONGO, PROCEED BONGO, LASER1500	BD1051, BE5 FA4, ST3, FA2, BA2, FA3 BTA67. STB, STL FA5, SS48	TC UT UC	4 4	1272 1415	70-78 78-	EX	0303-12-121A 0303-12-121B 0324-12-121 E301-12-121 E501-12-121 0488-12-121 8572-12-121 D303-12-121	
	CAPRLLA1600(626) TELSTAR1600	GC6	F6	4	1587	82	IN EX	F601-12-111 F601-12-121 F604-12-121 F606-12-121	
	CAPELLA1800, BONGO1800 CAPELLA2000, LUCE2000 BONGO B2000 B2200 COSMO, SPECTRON, TELSTER	GC8, SS88 GCE, HBE, SRE9	F8 FE	4 4	1789 1998	82 82	IN EX	F801-12-111 F801-12-121 F804-12-121	
	TITAN3000, E3000, T3000 PARK WAY	TA3, WEW, WEF WEY, WWL	HA	4	2977	77	IN EX	seo1-12-111 SE01-12-121	
	CAPELLA2000, LUCE2000 929 2000, 626, 2000 T2000, B2000 CAPELLA1600 (808, 626, 616) PROCEED, BONGO1600 B1600, E1600 CAPELLA1800, LUCE1800, COSMO (929, 626, 618), COURIER PROCEED1800, B1800, TITAN	CE3, HBP, LA4/7 HBS, CB2 BA2, BNA61, BNB61, CB2 PE2, SN3, SN4, SNA SVA, SVE, EVB, EVH, CBZ LA3, SUB, EUG BA2, CB1, CB2, CD2, EA2 LA2, SV2, SVC, SVD, SVH, SVK	MA NA VB VC NA	4 4 4 4	1970 1586 1796 1796	77 70 69	IN EX	0290-12-111 0290-12-111A 0290-12-111B 0290-12-111C 0453-23-255 D27Z-6507A 0290-12-121 0305-12-121 8173-12-121 D27Z-6505A 0453-23-256 HE19-12-121	
	FAMILIA1000, C323 BONGO1000(E1000)	SPA, FPA, FAA, SPB BPA, BPB	PB	4	987	67-79	IN EX	0249-12-111A 0259-12-111 0249-12-121A 0259-12-121	
	FAMILIA PRESTO1000(323)	SPC, FA3	PC	4	985	70-77	IN EX	0317-12-111A 0317-12-121A 0317-12-121B 0483-12-121	
	BONGO2200, E2200 CAPELLA2000, BONGO2000 SPECTRON	SPZA GCF, SSF8, SRE9	R2 RF	4 4	2184 1998	83- 83-	IN EX	RF01-12-111 RF01-12-121 RF01-12-121B	



CAPT. PREMIUM ENGINE VALVE

CAPT No.	Vehicle Model Chassis Type	Engine Code	No. of Cyl.	CC	Year	IN EX	O.E. Part NO.	Remark
----------	-------------------------------	-------------	-------------	----	------	----------	---------------	--------

MAZDA

	LUCE2200, BONG02200	LA4, HBP, BA2	S2	4	2209	79	IN	0636-12-111	
	E2200, B2200, PARKWAY	AEV, AEX, EXA12, 32, 35	XA	4	2522	67	EX	0636-12-121	
	BOXER2500, E2500	EXA12, 42, 43, EXC12, 13	ZB	6	4052	72			
	TITAN2500, T2500	EXR15, EYA14, TA13, WE5A							
	BOXER4100	WEWO51							
	TITAN4100, T4100	EXA45, EYA44, EYA44, 74, EZA14, 45, 75, EZB14, 45, 74, WE11, 17	BA XB HA S-2	4	2700 3000 2200	81- 78-	EX	0527-12-121	
	TITAN3700	TA2	XC	4	3663	76-80	IN	1304-12-111	
	BOXER3700	EYA14/44/74, D701							
	BOXER5500	EZC74/75, EZD75	YA ZC	6 6	3783 5494	69-74 75-80	EX	1304-12-121	
	FAMILIA1200(323)	BTAA55 / 65, STA	TA TB	4	1169	68-74 68-74	IN EX	0268-12-111 0268-12-121	
	PROCEED1500, CRAFT1500	BUG61, DUC9	UA	4	1500	60-71	IN EX	0107-12-111 0107-12-121	
	TITAN2000, T2000	TVA8 / 10 / 32, CVH	VA	4	1985	71-79	IN	0552-12-111	
	PARKWAY, E2000	EVG, EVB, EVB43, EVH12, EVK15, AEV					EX	0552-12-121	
	CAPELLA		B5	4	1500	86-87	IN	B630-12-111	
	ETUDE		B6	4	1600	89-	EX	B630-12-121	
	FAMILIA(323)								
	TITAN	T3500	HA	4	3500	89-	IN EX	SL01-12-111 SL01-12-121 SL70-12-121 SLA1-12-121	
	FAMILIA(323)		E3	4	1300	89-	IN	E5D3-12-111	
	LASER		E5	4	1500	89-	EX	E358-12-121 E5D3-12-121	
	CAPELLA		AM	4	2000		IN EX	AM15-12-1110 AM01-12-1210	
	FORD						IN EX	E8BZ-6507A E8BZ-6505A	
	FORD		F2	4	2200		IN EX	F201-12-1110 F202-12-111 F201-12-121A F210-12-121B	
	PROBE								
	CAPELLA(626)								
	LUCE(929)								



CAPT. PREMIUM ENGINE VALVE

CAPT No.	Vehicle Model Chassis Type	Engine Code	No. of Cyl.	CC	Year	IN EX	O.E. Part NO.	Remark
----------	-------------------------------	-------------	-------------	----	------	----------	---------------	--------

MAZDA

	FAMILIA(323) LASER W/BURBO		B5	4	1500	89-	IN	B695-12-1110	
			B6	4	1600	89-		B6S7-12-111	
	FORD						EX	B695-12-121B B690-12-121B B690-12-121C	
							IN	E7GZ-6507A	
							EX	E7GZ-6505A	
	LUCE		JE	6	3000	90-	IN	JE01-12-111 JE06-12-111	
							EX	JE06-12-121A JE01-12-121	
							IN	2783-12-111	
							EX	2783-12-121	
	FAMILIA(323) LASER	MX3	B6	4	1600	89-	IN	B541--'12-111	
							EX	B541-12-121 B62A-12-121	
	CAPELLA/TELSTER(SOHC)			4	1800	89-	IN	BP01-12-111	
							EX	BP01-12-121	
	PROTEGE(DOHC) FAMILIA FORD LASER		BP	4	1800	89-	IN	BP05-12-111	
							EX	BP05-12-121A	
		MPV/B2600	G6	4	2600	89-	IN	G601-12-111	
							EX	G601-12-121 G602-12-121	
	FORD						IN	E6DZ-6507A	
							EX	E6DZ-6505A	
	FORD						IN	E7FZ-6507A	
							EX	E7FZ-6505D	
	FORD						IN	FOCZ-6507A	
							EX	FOCZ-6505A F3CZ-6505A	
	FORD						EX	E92Z-6505A	
							IN	FS01-12-111B	
							EX	K801-12-121 FS05-12-121B	
	FAMILIA(323)		UB	4	1500	66-	IN	0222-12-111	
			UC				EX	0222-12-121	
			PN				IN	PN11-12-111	
							EX	PN20-12-121	
							IN	ZZM3-12-111	
							EX	ZZM3-12-121	
							IN	Z501-12-111	
							EX	Z501-12-121	
							IN	JE26-12-111	
							EX	JE26-12-121	



CAPT. PREMIUM ENGINE VALVE

CAPT No.	Vehicle Model Chassis Type	Engine Code	No. of Cyl.	CC	Year	IN EX	O.E. Part NO.	Remark
----------	-------------------------------	-------------	-------------	----	------	----------	---------------	--------

MAZDA

						IN	KL01-12-111A/B	
						EX	KL01-12-121	
						IN	KF01-12-111A	
						IN	B3C7-12-111A	
						EX	B3D2-12-121A	
						IN	ZZL0-12-111	
						EX	ZZL0-12-121	
						IN	ZZM0-12-111	
						EX	ZZM0-12-121	
						IN	ZZM1-12-111	
						EX	ZZM1-12-121	
	FAMILIA(323)	B1	4	1100	89-	IN	B660-12-111	
	LASER	B3		1300				
	FASTIVE(121)					EX	B660-12-121	
	T2500	XA	4	2500	89-	IN	S501-12-111	
						EX	S501-12-121	
							S535-12-121	



CAPT. PREMIUM ENGINE VALVE

CAPT No.	Vehicle Model Chassis Type	Engine Code	No. of Cyl.	CC	Year	IN EX	O.E. Part NO.	Remark
----------	-------------------------------	-------------	-------------	----	------	----------	---------------	--------

MITSUBISHI

	CANTER, ROSA	FE, BE, BH	4D30	4	3300	78-	IN	ME011244 ME011265 ME013810 ME029006 ME029295	
	TRUCK, BUS	-B,MR. FK	4D31		3300	79- 78-	EX	ME011245 ME013832 ME013834 ME011266	
			6DS7	6	5400	73- 72-	EX	ME029007 ME023882 ME024011	
	CANTER	FE100, 101, 111, 120, 121 4D53 / 54 / 55	4D30A 4D32 4D31A	4	3298		IN	ME011265 ME013810	
	GALANT2300, DELICA2300 PAJERO, RAM50, MONTERO L200/300, CANTER	A167 L028/038/043/048/068 FB433	4D55	4	2300 2400	80-80 80-	IN	MD050552 MD050100	
	TRUCK, BUS	FK, FM, T, BK, MK, MM, FD	6D10	6	6000	74-80 74-	IN	ME031297 ME031014 ME013863 ME031938	
		TRUCK FK415	6D11 6D14(T)	6 6	6700 6600	74- 75-	EX	ME031154 ME031015 ME013833 ME031940	
	TRUCK, BUS	FK, FM, MK, MM	6D15	6	6900	79-	IN	ME031937 ME031557	
							EX	ME031939 ME031558	
	TRUCK, BUS	FR FT, FU, MP, FS, FN, K	6D20	6	10300 10300 10300	75- 67- 80-	IN	ME051063 ME051585 ME051696 ME051698 30904-00302 30904-00401	
			6D21 6D22 6D22T 6D22TC 6D50 6D60	6 6	10000 11449 11400	79- 78- 79-	EX	ME051064 ME051567 ME051697 31104-O11O3 31204-05103 31204-70200 31204-71100 31204-71200 31204-71101	



CAPT. PREMIUM ENGINE VALVE

CAPT No.	Vehicle Model Chassis Type	Engine Code	No. of Cyl.	CC	Year	IN EX	O.E. Part NO.	Remark
----------	-------------------------------	-------------	-------------	----	------	----------	---------------	--------

MITSUBISHI

	COLT / LANCER	C14A / 54A / 64A	4D6	4	1800	84-	IN	MD070767	
	GALANT	E14 / 34 / D09W	4D65	4	1800		EX	MD070768	
	SPACE WAGON		6D22	6				MD070769	
	MIRAGE							MD072481 MD080778	
	TRUCK, BUS	R, W, B, MR	6D81	6	8600	65-77	IN	30004-23101 30004-23103	
			6DB6	6	8600		EX	30004-31101 30004-31103	
			8DB	8	11400			30004-31201 30004-35101 30004-35103	
	TRUCK, BUS	FP, FR, FT, FU, FV, W, T,	6DC	6	10000	67-77	IN	ME061546 31204-70101	
			8DC2	V8	13300		67-80	31204-70201 31204-01203	
		NV, B, MS	10DC	V8	13300	72-	EX	ME051064 ME051567 ME051697 31204-71100 31204-71101 31204-05103	
	FUSO DIESEL TRUCK	T800 / 982,B B800 / 905	6DC2/40/ 60/80/90	6	9955 10000	68- 68-73	IN	31104-00101 ME061546 31204-01201 31204-01203 31204-70101 31204-70201	
			8DC2	V8 8	13273 13000		EX	31104-01102 31104-01103 31104-01105 31204-71101 31204-70200 ME051064	
			80	10					
			10DC60	V10	18000				
	TRUCK, BUS	FS,FT, FU,FV, T, NV B.MS	8DC7	V8 8	13800 14000	76-80 76- 73- 76- 79- 72-	IN	ME061545 ME091558 31204-30200 31101-00401	
			8DC8	V8 8	14900 15000		EX	ME061547 ME061546 ME062885 31101-00501 ME065581	
			10BC	V10	18600			ME065587 ME091559	
				8	16000			ME090389	
			10DC	10	18600			ME090551 31204-31200	



CAPT. PREMIUM ENGINE VALVE

CAPT No.	Vehicle Model Chassis Type	Engine Code	No. of Cyl.	CC	Year	IN EX	O.E. Part NO.	Remark
----------	-------------------------------	-------------	-------------	----	------	----------	---------------	--------

MITSUBISHI

	JEEP, ROSA, CANTER, FORK TRUCK	J, Bi BH, T, FD,FB,FE	4DR	4	2700	70-	IN	ME001142	
			4DR5			73-		ME001114/5	
	JUPITER, ROSA			4	1500	62-		ME001105	
				4	2000	63-		ME001663 31604-03100 31304-00100 31304-00102	
			6DR5	6	3988	70-	EX	ME001143	
					1000			MD001538	
				4	2700	68-		ME001116	
								31304-00101 31304-01101 31304-01103	
	TRUCK BUS	T620/630/650/663	6DS1	6	5430	65-	IN	ME020236	
			6DS5	6	5000	61- 69-		ME024010	
			6DS3	6	5100	65-	EX	ME024205	
			6DS7 4D30=32 4D34T1	6	5100	73- 72-		ME023881 39804-00100 30804-00100 ME013832 ME013834 ME021039 ME023882 ME023643 30804-01101 30804-01100	
	LANCER, F10RE, MIRAGE 1200 LANCER, CELESTE, F10RE	A141/148/151/155/171 A142/149/152/156/172	G11	4	1200	77-	IN	MD016460	
			G12			78-		MD003787	
	MIRAGE, TERDIA1400, LANCER, FIORE, MIRAGE1300	C11	G13	4	1300	83-	EX	22211-21000 22211-21010	
	LANCER, FIORE, MIRAGE1500 COLT	C12	G15		1500	83-		MD016461 MD003788 22212-21304 22212-21000	
	GALANT, LANCER, CELESTE CORDIA, TREDIA, MIRAGE 1600 ARROW	A53-212, L021-036	4G32/11 4G33/30	4	1600 1400	75- 77-78	IN	MD000480	
								MD002480	
	GALANT, LANCER, CELESTE DELICAT1400, FORK, COLT LANCER, GALANT1700	A541621721143, L0311036 FG10/15 A55	4G35 4G36	4	1200	72-77 75-78	EX	MD064871 K491565	
	LANCER, JUPITER	A75.T22/25						MD000481 MD002481 MD003788 MD007781 MD007783 K491566	
	GALANT, DELICAT1400(L300), FORK, LANCER1200	A61, T120/121, FG14/15 A71	4G41	4	1400	71-79	IN	MD010480	
			4G42	4	1187	73-77	EX	MD010481 MD010482	



CAPT. PREMIUM ENGINE VALVE

CAPT No.	Vehicle Model Chassis Type	Engine Code	No. of Cyl.	CC	Year	IN EX	O.E. Part NO.	Remark
----------	-------------------------------	-------------	-------------	----	------	----------	---------------	--------

MITSUBISHI

	GALANT1850	A114 / 122 / 132	4G51/50	4	1850	73-78	IN	MD020580	
	GALANT, NEWGALANT, CELESTE	A57 / 115/123 / 133 / 146	4G52	4	2000	73-	EX	MD024523	
	FORTE2000, JEEP, CANTER	J46 / 58 / 59, T206 / 216, L022						MD040791	
	JEEP, ROSA, CANTER, FORK	J26 / 38 / 46 / 56, B207 / 217 T217, FG30	4G53	4	2400	75-80		MD020581	
			4G62		1800	80-		MD020583	
			4G63		2000			MD020586	
	DEBONAIR, GALANT2600	A32 / 33 / 135,	4G54	4	2555	76-	IN	MD024518	
	L200 / CANTER	J27 / 37 / 47 / 57						MD024638	
	A165A / K33T / FC312	L023					EX	MD024519	
	JEEP, ARROW, SAPPORO							MD024499	
	PAJERO(MONTERO), RAMSO							MD024548	
								MD024639	
	GALAN, LANCER, CORDIA	A162/175/213, L035, E13	4G62	4	1800	85-	IN	MD040791	
	TREDIA, ETERNA, DELICA1800	D03						MD024523	
	GARAN, ETERNA, STARION	A163/164/168/183, E15A	4G63	4	2000	85-	EX	MD020586	
	PAJERO2000, ARROW.	L026 / 041 / 046						MD020583	
	SPACER WAGON								
			S4E				IN	34404-10100	
							EX	34404-11100	
			12DE				IN	33404-10100	
							EX	33404-11100	
			DH				IN	32004-20102	
								30100	
							EX	32004-24201	
								31100	
			S6A2				IN	32504-00200	
			(MTK)				EX	32504-01200	
			S6A2				IN	32504-00100	
			(MTK)				EX	33704-11102	
							EX	MD185569	
	MIRAGE			4	1500	89-90	IN	MD074628	
								22211-24504	
							EX	MD074629	
	ALL(83-86) / CORDIA, MONTERO,	JET VALVE	1600,180	4	2600	87-89	JET	MD009440	
	TREDIA,ALL2600CC	AUXILIARY USE				2000	84-		MD009441
	CALANT / MIRAGE / VAN /			4	2000	87-89	JET	MD088380	
	PICK-UP(2000CC)							MD088382	
	MINICA	HA14A, % 15A, V	3G81	3	550	87-	IN	MDI13238	
		U14% % 15% V					EX	MDI13239	
		U14TP							
	BRAVO	U41V, U42V	3G83-S4	3	660	87-	IN	MD160893	
							EX	MD163942	



CAPT. PREMIUM ENGINE VALVE

CAPT No.	Vehicle Model Chassis Type	Engine Code	No. of Cyl.	CC	Year	IN EX	O.E. Part NO.	Remark
----------	-------------------------------	-------------	-------------	----	------	----------	---------------	--------

MITSUBISHI

	MINICA	HA22A	3G83-D5	3	660	90-	IN	MD190101	
							EX	MD138684	
			4A30-S4	3	660		IN	MD191605	
							EX	MD193165	
			4A30-D5	3	660		IN	MD191604	
							EX	MD179171	
	PROTONSACA	C21A, C51A	4G13	4	1300	91-	IN	MD128434	
	MIRAGE		4G15	4	1500		IN	MD128435(AU)	
							EX	MD139755 MD149314	
	PROTONSAGA	C22A, C52A, C62A, C72A	4G15-S3	4	500	87- 88-	IN	MD128435(AU)	
	MIRAGE		4G15/13				EX	MD149314 MD139755	
	LANCER		4G15-S3 -MVV	4	1500		IN	MD202944	
							EX	MD202945	
	COLT, GALANT, Z, A53, A63, A73 SAPPORO, CELESTE A112, A121 LANCER, MIRAGEA131, A144 DELICA(70-)112, E31 GALANT LANCER DELICA FORKLIFT F. FG	E31/32 A54, 62, 72, 75, 143 L031R 36P F10, FG15	4G32	4	600	71-77 88- 70-72 73-78	IN	MD075924	
			G32	4	600			MD075925	
							EX	MD075927	
			4G33	4	400		70-86	MD075928	
	GALANT	E12 / 32A /A215	4G37	4	1800	87- 83-	IN	MD069806	
	ETERNA	C77 / D05V	G37B	4	1800			MD088253	
	COLT							MD080780	
	SPACE WAGON TRAD1A / CORD1A	E-12	4G37- SOG	4	2000		EX	MD069807 MD070791	
	STARION, GALANT	A32A	4G54	4	2600	67-78 83- 86-	IN	MD083848	
	DEBONAIR	A33A	G54B	4	2600			MD083849	
	CANTER	FC312,432					EX	MD083850	
	MONTERO L200 / 300	K33T / L042G / 47G						MD092999 MD083851 MD094619	
	GALANT, Z	A213A	4G62	4	1800	80-83 78-81	IN	MD070691	
								MD070692	
	SAPPORO, LANCER							MD083888	
	CORDIA ETERNA	A163V A163, 164 A123V	4G63	4	2000		EX	MD070693 MD070694	
	ETERNA	E33A, DOHC	4G63- MP1	4	2000	87- 82-	IN	MD159502	
	GALANT	E39A, DOHC					EX	MD197097	
			4G63	4	2000			MD199193	
								MD303177 MD197106	



CAPT. PREMIUM ENGINE VALVE

CAPT No.	Vehicle Model Chassis Type	Engine Code	No. of Cyl.	CC	Year	IN EX	O.E. Part NO.	Remark
----------	-------------------------------	-------------	-------------	----	------	----------	---------------	--------

MITSUBISHI

	GALANT	E39A, DOHC E38A	4G63-TC 4G61	4 4	2000 1600	88- 88-	IN EX	MD127840 MD127847 22211-33000 22211-33010 iMD127841 MD127848 MD130164 MD184078 22212-33000 22212-33010	
	DELICA GALANT MAGMA	P04W, 24W	4G64	4	2400	89- 85-	IN EX	MD085253 MD085254 MD096632	
	MIRAGE LANCER	CA3A, CB3A, CC3A, 3D3A ECI	4G91	4	1500	 	IN EX	MD162780 MD162799 MD162781 MD162800	
	MIRAGE	CA4A, CC4A	4G92- D4	4	1600	91-	IN EX	MD196745 MD198570 MD197878 MD199615 MD199616 MD193033 MD198732	
	ETERNA EMERAUDE, GALANT	N11W, 21W E72A E52A, 54A, E72A	4G92 4G93	4 4 4	1600 1800 2000	91-92	IN EX	MD162422 MD162423 MD162616	
	ETERNA GALANT	V. V6, E17A 6G71 S11A	6G71	4	2000	86-	IN EX	MD094396 MD106093 MD094397 MD106094	
	DEBONAIR PAJERO(MONTERO) DIAMANTE/SIGMA	V. V6 S12A L141 / 146 / Z16 / S22	6G72- MP1 6G72	6 6	3000 3000	86- 86-	IN EX	MD088811 MD301339 22211-35004 MD088812 MD096219 MD301340	
			6G72-D4 6G72-D4 -TC	6 6	3000 3000		IN EX	MD135479 MD135481 MD172315 MD135480 MD135482 MD183730	



CAPT. PREMIUM ENGINE VALVE

CAPT No.	Vehicle Model Chassis Type	Engine Code	No. of Cyl.	CC	Year	IN EX	O.E. Part NO.	Remark
----------	-------------------------------	-------------	-------------	----	------	----------	---------------	--------

MITSUBISHI

	CHARIOT DIAMANTE	F13A, 15A, 25A	6G73-D4	6	2500	90-	IN	MD143334 MD165485 MD175527	
							EX	MD143335 MD165486 MD173932	
			6G74-D4	6	3500		EX	MD168241	
	MIRAGE, LANCER	CB6A	6A10	4	1600	91-	IN	MD180556	
							EX	MD177568	
	ETERNA, EMERAUDE GALANT	E53A	6A11	4	1800	92-	IN	MD159744	
							EX	MD159745	
	ETERNA EMERAUDE GALANT	E54A, 64A E84A	6A12	4	2000	92-	IN	MD160947 MD181420	
							EX	MD160948 MD160949	
							EX	MD312193	
	PAJERO L200. DELICA	L149GW, 046G, 044GV L144GW, 149GW L039P69P, 049GV P05W15V, 15W 25V, 05V	4D5	4 4 4	2500 2300	86- 84-	IN	MD083657 MD083661	
							EX	MD083659 MD083662	
	ETERNA GALANT LIBERO, CARGO	E57ATURBO E77A4WD CB8V	4D68	4	2000		IN	MD173602 MD186756	
							EX	MD173603 MD173604 MD180356	
			4M14 (E65X)	6	2800		IN	ME200050	
							EX	ME200051	
			S6B				IN	33704-10102 36204-00100	
							EX	36204-21100	
		TRUCK	S4S				IN	32A04-10100	
							EX	32A04-11100 32A24-01100	
			S6F (MTK)				IN	36704-00401	
							EX	36704-01601	
							IN	MD006480	
							EX	MD006481	
			4G15 -S3-MVV	4	1500		IN	MD202944	
							EX	MD202945	
			M7				IN	K823311-2	
							EX	K823312-3	
							IN	MD301193	
							EX	MD306183	
							EX	MD4667810	



CAPT. PREMIUM ENGINE VALVE

CAPT No.	Vehicle Model Chassis Type	Engine Code	No. of Cyl.	CC	Year	IN EX	O.E. Part NO.	Remark
----------	-------------------------------	-------------	-------------	----	------	----------	---------------	--------

MITSUBISHI

							IN EX	MD4667969 MD4667972	
							IN EX	MD212998 MD212799	
	3ANTER	T720, T90, T92, T94	4DQ3 4DQ5 4DR1	4	1500 2000 2700	62- 68- 68-	IN EX	30604-00100 30604-00102 30604-01101 30604-01103	
	PAJERO		4D56 4D56TC	4	2476	I	IN	MD198403 MD198404	



CAPT. PREMIUM ENGINE VALVE

CAPT No.	Vehicle Model Chassis Type	Engine Code	No. of Cyl.	CC	Year	IN EX	O.E. Part NO.	Remark
----------	-------------------------------	-------------	-------------	----	------	----------	---------------	--------

SUBARU

SUBARU1300 1400	A15 / 44 A22 / 62 AB / AF / AM	EA62 EA63 EA64 EA65		1361 1300	71- 72-	IN EX	81555-8600 81555-8610 81555-8620 31555-7000 31556-7000 41556-3400 41556-7100 81556-8600 81556-8610 81556-8800	
LEONE1200 / 1300 / 1400	A22 / 24 / 25 / 32 / 33 A62 / 64 / 65 AFI, AH1, AM1/2, AB1	EA63 EA64 EA65	4 4	1176 1298	71-78 73-79 79- i	IN EX	31555-7010 41556-3410 41556-7110	
SUBARU, LEONE1600	AC/AF/AG/AN/AW	FA71	4	1595	76-77	IN EX	31555-4300 131556-4300 41556-3200 41556-7000 41556-7010	
LEONE1600, 1800 BRAT	A26 27/33/34/66 A67 69, AB2/3/4/5 AF2 3/5, AM2/3/4/5	EA71		1595	75-	IN EX	31555-4310 41556-3220 41556-4310 41556-7020	
	A J5, AW2	EA81	4	1781	79-	IN EX	41555-7000 41555-7100 13201-AA240 49715-5500 41556-7200 41556-7210 41556-7300 41556-7310 13202-AA240	
REX500, 550 SAMBER500, 550 DOMINGO	K23 / 24 / 43 / 44 / 75 K76 / 77 / 78 / 85 / 87 / 88 KT1 / 2 SCF751 / 752 K J5 / 6	EK23 EK22 EF10		544 997	77- 83-	IN EX	41555-5400 41555-5410 41556-5400 41556-5410 41556-5500	



CAPT. PREMIUM ENGINE VALVE

CAPT No.	Vehicle Model Chassis Type	Engine Code	No. of Cyl.	CC	Year	IN EX	O.E. Part NO.	Remark
----------	-------------------------------	-------------	-------------	----	------	----------	---------------	--------

SUBARU

	LEONE1600, 1800		EA82		1600 1800 2000	85-	IN EX EX	13201-AA001 41556-AA002 13202-AA021 13202-AA022 13202-AA001 13202-AA002 13202-AA011 13202-AA012	
							IN EX	13201-KA001 13201-KA002 13201-KA062 13201-KA120 13201-KA121 13202-KA002 13202-KA031 13202-KA032 13202-KA181	
							IN EX	41555-1000 41556-1000	
							IN EX	81555-4100 81556-4100	
			EJ22	4	2200		EX	13202-AA110 13202-AA112 13202-AA171	
							EX	81556-4800 81556-6200	
	LEGACY		EJ18	4	1800		IN EX	13201-AA070 13201-AA071 13201-AA072 13201-AA180 13202-AA160 (13202-AA161) (13202-AA101) (13202-AA102)	
	LEGACY		EJ22	4	2200		IN EX	13201-AA080 13201-AA082 13201-AA190 13202-AA110 (13202-AA112) (13202-AA171)	
	JUSTY DOMINGO	KA/KJ	EF10 EF12	3 3	1000 1200		IN EX	13201-KAIII (13201-KAI10) 13202-KA161 (13202-KA160)	



CAPT. PREMIUM ENGINE VALVE

CAPT No.	Vehicle Model Chassis Type	Engine Code	No. of Cyl.	CC	Year	IN EX	O.E. Part NO.	Remark
----------	-------------------------------	-------------	-------------	----	------	----------	---------------	--------

SUBARU

	LEGACY		EJ20	4	2000	89-	IN EX	13201-AA250 (13201-AA251) 13202-AA270 (13202-AA271) (13202-AA272)	
--	--------	--	-------------	---	------	-----	----------	---	--



CAPT. PREMIUM ENGINE VALVE

CAPT No.	Vehicle Model Chassis Type	Engine Code	No. of Cyl.	CC	Year	IN EX	O.E. Part NO.	Remark
----------	-------------------------------	-------------	-------------	----	------	----------	---------------	--------

SUZUKI

	FRONTE, ALTO, CARRY CERVO, JIMNY	SS40 / 41 / 81, S120	F5A	3	550	78-	IN	12911-73000	
		ST40 / 41 / 80 / 90 / 308	F8A	4	800	78-		12911-73001	
		S J20 / 30 / 401	L J50	3	550	83-		12911-73002	
		L J80 / 81						12911-73003	
								12911-73010	
								12911-73011	
								12911-73012	
								12911-78100	
								12911-78101	
								12911-84000	
							EX	12915-73000	
								12915-73001	
								12915-73002	
								12915-73003	
								12915-73005	
						12915-73010			
						12915-73011			
						12915-73012			
						12915-73100			
						12915-78110			
						12915-78111			
						12915-84000			
						12915-84010			
						12915-84101			
	JIMNY	SJ40	FA10A		1000	83-	IN	12911-82000	
								12911-82010	
						EX	12915-82000		
							12915-82001		
							12915-82010		
	CULTUS/SWIFT	AA41	G10		1000	83-		12915-82050	
			G13A/B		1300	85-		12915-82062	
	JIMNY		F10A		1000		IN	12911-78101	
						EX	12915-73004		
						IN	12911-09401		
						EX	12912-09401		
						IN	12911-45011		
						EX	12912-45011		
	SIDEKICK(8 VALVES) ESCUDO / VITARA	SE416	G16A		1600	86-	IN	12911-60A10	
								96057952	
						EX	12915-60A00		
							12915-60A50		
							96057953		
							96067994		



CAPT. PREMIUM ENGINE VALVE

CAPT No.	Vehicle Model Chassis Type	Engine Code	No. of Cyl.	CC	Year	IN EX	O.E. Part NO.	Remark
----------	-------------------------------	-------------	-------------	----	------	----------	---------------	--------

SUZUKI

	SWIFT	AA34 / AB34	GA13A	4	1300	89-	IN EX	12911-60B20 96060053 12915-60B70 96067978	
	SIDEKICK (16 VALVES) VITARA	SF416	GA16A	4	1600	86-	IN EX	12911-71 COO 12915-71C50	
	SWIFT	AA33 / AB34 / 33	G 13B/A	4	1300	86-	IN EX	12911-86500 12911-86511 12915-86500 12915-86510 12915-86561- 000	
							IN EX	12911-02A00 12912-02A00	
	ALTO		F6AG	3	660		IN EX	12911-61C00 12911-81400 12915-81400	
							IN EX	12911-14D01 12912-14D01	
							IN EX	12911-30A00- 000 12911-30A02 12911-30All 12912-30A01- 000 12912-30All	
							IN EX	12911-04800 12912-74400	
							IN EX	12911-05211 12912-05211	
							IN EX	12911-38200 12912-38200	
	ALTO		F6A	3	660		IN EX	12911-78B00 12915-78B01	
							IN EX	12911-30D00 12915-30D00	
							IN EX	12911-02C00 12915-02C00	
							IN	12911-19B00	
							IN EX	12911-86FA0 12915-86F50	
							IN EX	12911-15D01 12912-15D01	



CAPT. PREMIUM ENGINE VALVE

CAPT No.	Vehicle Model Chassis Type	Engine Code	No. of Cyl.	CC	Year	IN EX	O.E. Part NO.	Remark
----------	-------------------------------	-------------	-------------	----	------	----------	---------------	--------

TOYOTA

	CARINA1500 / 1600, TERCEL1300/1500, CELICA1600 CORSA1300/1500, CORONA1600 COLOLLA1300 / 1500 / 1600 SPRINTER1500 / 1600	AA60 / 63 AT140 / 150 / 160 / 170 AE70-72 / 80-86 / 90/1 00 AL10/11/12/21/22/15/20	2A 3A 4A IA	4 4 4	1300 1500 1600	784 804 834	IN EX	13711-15010 13711-15030 13711-15030 13715-15010	
	CORSA, TERCEL CORLLA, CARINA SPRINTER. CORONA		2A 3A 4A	4 4	1500 1600		IN EX	13711-01010 13715-01010	
	COROLLA, SPR NTER		4AG	4	1600		IN EX	13711-16010 13715-16010	
	LANDCRUISER, COASTER, TOYOACE, DYNA	BJ10/43, BK30, BY31 BU 10/12/15/19/20/22/30/35 EV20 / 30 / B J4#	B	4	3000	72-	IN EX	13711-56010 13715-56010	
	LANDCRUISER, COASTER, TOYOACE DYNA	B J40/41/43/44/60, BY31 BU10/12/15/19/ 20/ 22/ 30 /31/35/36 BK30, BB10/11	B 11B 2B	4 4	3000 3200	77- 77-82	IN EX	13711-56020 13711-56030 13711-56040 13711-56050 13711-56031 13715-56020 13715-56030 13715-56031 13715-56050	
			11B	4			IN EX	13711-56060 13715-56060	
	LANDCRUISER, DYNALANDCRUISER COASTER	B J46 / 60, BU23, BB20/31	3B	4	3400 3000	81- 85-	IN EX	13711-58010 13715-58010	
	DYNA	BU60 8#/9#	13B	4	3431	84-	IN EX	13711-58010 13715-58020 13715-58021	
	DYNA LAND CRUISER		13B 14B	4			IN EX	13711-58020 13711-58021 13711-58050 13715-58050 13715-58060 13715-58030 13715-58040	
	CAMRY1800, VISTA1800, SPRINTER1800 COROLLA1800, CORONA1800 TOWNACE 1800 / 2000	CV10 12, CA67, CM25 CE70 71/80/81/82 CT140 / 147, CR21 / 26 CT150 / 160	1C 2C	4 4	1800 2000	81- 83-	IN EX	13711-64010 13711-64020 13715-64010 13715-64020 13715-64021 13715-64030	
	CORONA1800, CARINA1800 COROLLA1800, SPRINTER1800 TOWNACE1800 / 2000	CE95, CT170	1C 2C	4 4	1800 2000	85-	IN EX	13711-64011 13711-64020 13715-64012 13715-64030 13715-64040	



CAPT. PREMIUM ENGINE VALVE

CAPT No.	Vehicle Model Chassis Type	Engine Code	No. of Cyl.	CC	Year	IN EX	O.E. Part NO.	Remark
----------	-------------------------------	-------------	-------------	----	------	----------	---------------	--------

TOYOTA

	TRL CK DA	DAII, DR10/11	D	6	6000	59-74	IN EX	~13711-76010 13715-76010	
	TRUCK DA/DC, BUS DB/DR FORK LIFT, TRACTOR SHOVEL ROADER	DR10/11/15/115, DC80 DA80/90/95/100/110/115/11 DB90/92/95/100/102/105 FD60/100, SD2300/2500, SDT35	2D	6	6500	59-	IN EX	13711-76011 13711-76012 13711-76013 13715-76011 13715-76012 13715-76013 13715-76014	
	TRL OTHER MACHINE CK DA/DC	DB90/92/95/100/102/105 DR10/11 / 15, FD100, SDT35 DA90/92/95/100/102/105	2D	6	6500	59-	IN EX	13711-77010 13715-77010	
	BUS						EX	13715-77011	
	COROLLA TRUENO STARLET TARCEL	EE80 EP7 EL31 /42, EE90	1E 2E	4	1300 1000 1500	84-	IN EX	13711-10020 13712-10010 13715-10030	
	LAND CRUISER TRUCK, BUS	FA95. FC100, FW10	F	6	3878	54-	IN EX	13711-60010 13715-60010	
	LAND CRUISER TRUCK, BUS	FG35, F J43	F	6	3878	60-	IN EX	13711-60011 13715-60011 13715-60012	
	BUS, LAND CRUISER, TRUCK, MASSY, DYNA, FORK LIFT, TRACTOR	FS45 F J40 / 43 / 45 / 55 / 56 / 60 FB100, FA100 / 110 / 115 FC10/22/100, FG35. TT3500	F	6	3800	65-	IN EX	13711-60020 13715-60031 13715-60020	
	TRUCK LANDCRUISER	FJ56/60/61, FA101, FC22 FJ40/43/45/55/70/80	2F 3F	6	4200	74-	IN EX	13711-60021 13711-61010 13711-61020 13715-60032 13715-61010 13715-61030	
	LANDCRUISER	F J7 / 40	2F 3F 4F	6 6	4200 4200	82- 84- 82-	IN EX	13711-61020 13715-61030 13715-61020 13715-61040	
	CELICA2000, CROWN2000, SOARER2000, MARKII2000, CHASER2000, CRESTA2000 CRESSIDA	GA61, GS110/111 / 126 GZ10, GX50/51/60/61 GL16, GA60, GX70, 80	1G	6	2000	80-	IN EX	13711-70010 13711-70020 13715-70010 13715-70020	
	DYNA, FORK LIFT, LANDCRUISER, COASTER,	HU15/30, FD35, HB3H H J60 / 47 / 75, HU40/59	H 2H	6 6	3600 4000	69- 79-	IN EX	13711-68010 13715-68010	



CAPT. PREMIUM ENGINE VALVE

CAPT No.	Vehicle Model Chassis Type	Engine Code	No. of Cyl.	CC	Year	IN EX	O.E. Part NO.	Remark
----------	-------------------------------	-------------	-------------	----	------	----------	---------------	--------

TOYOTA

	BUS, DYNA ROUTE, FORK, TRACTOR COASTER, TOYOACE SHOVEL	JK170/171, TD17, JY16	J	4	2336	65-70	IN	13711-46010	
		JUI0/12/15/18/30, SDK8	2J	4	2500	68-	EX	13711-46013 13715-46010 13715-46011 13715-46012 13715-46013	
		SD72J, FD28							
	TOYOACE, DYNA, COASTER	JUI6 / 30	2J	4	2500	81-	IN EX	13711-48010 13711-48011 13715-48010	
	PUBLICA, COROLLA STARLET	KP30, KP45, KE10	K	4	1077	66-69	IN EX	13711-22010 13715-22010	
	COROLLA PUBLICA STARLET	KE15, 16	K	4	1077	66-	IN EX	13711-22011 13715-22011	
	STARLET1000/1200, LITEACE PUBLICA1000/1200, TOYOACE COROLLA1200, SPRINTER1200 HILUX	KP 10/30/31/36/37/38/40 KE11/17/18/20/25/30 KE36/40/45/46, KM10 KP42/45/47/50/51/62	2K 3K	4 4	1000 1200	69-76 69-77	IN EX	13711-24010 13711-24020 13711-24021 13715-24010 13715-24011	
	COROLLA1200 / 1300, CARINA1500, SPRINTER1200 /1300, LITEACE STARLET1200/1300, PUBLICA 1200 TOWNACE, HILUX TAMARAW	KE11/17/18/ 20/ 25/ 26/ 30 36/40/45/50/55/60/65 /70/71/72/73 KM/10/11/ 20/ 21 KP10/ 31/ 36/ 37/ 38/ 42/ 47 /50/51/61/62, KP/12 i KA67, KF1#/ 2#/ 4#/ 5#	3K 4K 5K	4 4 4	1300 1300 1500	69-77 78- 83- 1500 83-	IN EX EX	13711-24011 13711-24012 13175-24012 13175-24013 13175-24030	
	CROWN2200 / 2400, TOYOACE MARKII220012411, HILUX CHASER2200/2400, HIACE BIRZZARD, CRESTA2200 CRESSIDA2200	LS10 / 110/111 / 117 / 120 /126 LN40/ 44/ 46/ 50/ 55/ 65/ 60 LX40/60/67, LD10, LX65 LH20/ 24/ 30/ 40/ 50/ 60/ 70 LT20, LY20/30	L 2L	4 4	2200 2400	78- 83-	IN EX	13711-54010 13711-54030 13715-54010 13715-54020 13715-54030	
	HILUX HIACE VAN	LN80 / LH100 LX80/76, LS130	3L 2L	4	2800	89-	IN EX	13711-54020 13715-54040	
	CROWN	MS50, 51, 52	M	6	1988	66-	IN EX	13711-41010 13715-41010	
	CROWN2600, CELICA2600, MARKII2600 SUPRA	MS65/75/80/83/95/101/ 85/111 MS103/105/106, MA46 MX23 / 29 / 33 / 43	4M	6	2600	71-79	IN EX	13711-45010 13711-45020 13711-41020 13715-45010 13715-45020	



CAPT. PREMIUM ENGINE VALVE

CAPT No.	Vehicle Model Chassis Type	Engine Code	No. of Cyl.	CC	Year	IN EX	O.E. Part NO.	Remark
----------	-------------------------------	-------------	-------------	----	------	----------	---------------	--------

TOYOTA

	CROWN2800, SOARE2800, CELICA2800, MARKII2800, SUPRA	MSI12/123, MZ11, MX62/63, MA56/61/67/55	5M 6M	6	2800	79-	IN EX	13711-43030 13711-43010 13711-43020 13715-43010	
	SUPRA	MA70	7M	6	3000	86-	IN EX	13711-42020 13715-42010	
	CORONA1500, MARKII 1500, HIACE, TOYOACE, STOUT, HILUX	RT40/ 46/ 50 /56 / 66/80/86 /90 RH10/15/16/30 RK41/43, RN10/15	2R	4	1490	64-	IN EX	13711-31010 13715-31010	
	CORONA 1500, MARKII 1500, HIACE, TOYOACE, STOUT, HILUX	RT40/ 46/ 50/ 56/ 66/ 80/ 86 /90 RH10/15/16/30 RK41/43, RN10/15	2R	4	1490		IN EX	13711-31011 13175-31011	
	CORONA1500, MARKII 1500, HIACE, TOYOACE, STOUT, HILUX	RT40/ 46/ 50/ 56/ 66/ 80/ 86 /90 RH10/15/16/30 RK41/43, RN10/15	2R	4	1490	64-71	IN EX	13711-31012 13715-31012	
	CROWN DYAN, STOUT	RS40, 41 RT62, 72	3R	4	1900		IN EX	13711-40010 13711-40011 13711-40020 13711-40030 13715-40010 13715-40011 13715-40020 13715-40021 13715-40030	
	CORONA 1600	RT55	4R	4	1600		IN EX	13711-32010 13715-32010	
	CROWN, HILUX TOYOACE, DYNA		5R	4	2000		IN EX	13711-44010 13711-44011 13715-44010 13715-44011 13715-44020	
	CROWN, HILUX TOYOACE, DYNA		5R	4	2000		IN EX	13711-44012 13715-44012 13715-44021	
	CROWN2000, COASTER, HILUX CORONA, TRACTOR DYNA ROUTE, TOYOACE, STOUT	RS50/56/60/100/105/110 5R RU10/12/15/18/19/ 20/ 30 RK101/110/111/170/171/176 RY16/31, TG17		4	2000	67-	IN EX	13711-44013 13715-44022	
	MARKII1600 / 1700 / 1900 CORONA1700 / 1900	RT60/ 61/ 67/ 68/ 70/ 71 / 72/75/76/77/78/80/84 / 87/88/90/93/94 RXI0/16, RA20, RN12	7R 8R 18R		1700 1600 1800	70-73 68-70 68-72	IN EX	13711-33010 13711-33011 13715-33010 13715-33011 13715-33030	



CAPT. PREMIUM ENGINE VALVE

CAPT No.	Vehicle Model Chassis Type	Engine Code	No. of Cyl.	CC	Year	IN EX	O.E. Part NO.	Remark
----------	-------------------------------	-------------	-------------	----	------	----------	---------------	--------

TOYOTA

	CORONA 1600 MARKII1600 HIACE, HILUX	RN20 / 25 RT80	12R		1600	70-	IN EX	13711-31030 13711-31040 13715-31030 13715-31040 13715-31050	
	CORONA1600, MARKII1600 HIACE, TOYOACE, TOWNACE, HILUX	RH 11/13/16/20/24, RY10/12/14 RR10/11/ 20/ 21 RN13/16/ 20/ 25/ 30/ 33/ 35 /40/43 RT40/ 51/ 55/ 66/ 69/ 81/ 87 /91/106/127/130	12R RJ RU		1600	77-	IN EX	13711-31050 13715-31070	
	MARKII1800/1200, CELICA2000 CORONA1600 / 1200, CHASER2000 CARINA1800-2000, CAMRY2000 HIACE, HILUX, CRESSIDA2000	RA10/11/14/15/16/17 / 21/23/25/28/31/35/40 / 45/55/63 RX11/12/15/17/ 21/ 22/ 27 / 28/30/31/35/37/63 RT/95/102/104/108/110/112/ 114/118/122/123/132 RH22/ 31/ 35/ 40/ 41/ 45 RN22/ 27/ 30/ 40	16R 18R 18R 18R 19R		1800 2000 2000 2000	73-80 71- 73- 73-	IN EX	13711-34010 13711-34011 13711-34012 13711-34030 13711-34031 13711-36020 13711-36021 13711-36040 13715-34010 13715-34011 13715-34012 13715-34013 13715-34022 13715-34050 13715-34310 13715-34311 13715-34312 13715-34313 13715-36021	
	MARKII2000, CELICA2000 CHASER2000, CORONA2000 CAMRY2000, CARINA2000 HIACE2000, CRESSIDA2000 COASTER2000	RU50 RH23 / 33 RB11 / 12 RX40 / 41 / 60 / 70 RTI05/115/119/133/134 RN27/ 28/ 32/ 37/ 42/ 47 RA22/ 24/ 29/ 42/ 45/ 46/ 56	20R 21R	4 4	2200 2000	75-80 78-	IN EX	13711-37010 13711-38010 13711-38020 13715-38010 13715-38011 13715-38020 13715-38050 13715-37020	



CAPT. PREMIUM ENGINE VALVE

CAPT No.	Vehicle Model Chassis Type	Engine Code	No. of Cyl.	CC	Year	IN EX	O.E. Part NO.	Remark
----------	-------------------------------	-------------	-------------	----	------	----------	---------------	--------

TOYOTA

	CRESSIDA2000		21R	2000	84-	IN	13711-35050	
	HILUX		22R	2200	84-		13711-35030	
	DYNA						13711-35040	
							13711-35050	
							13711-35051	
						EX	13715-35040	
	COASTER2200	RB 13	21R	2400	81-	IN	13711-35010	
	CELICA2200	RT32 / 36	22R				13711-35030	
	DYNA	RX70 / 80					13711-35031	
		RA43 / 44 / 63 / 65				EX	13715-35010	
		RN34/ 38/ 44/ 48/ 50/ 60/66 /					13715-35020	
		80/90/100					13715-35030	
		RU80/90					13715-35031	
						13715-35040		
	CAMRY1800/2000,	SQ60, SV10/11/12/16	IS	1800	81-	IN	13711-63101	
	CELICA1800,	i SX60, ST140/150	2S	2000	83-	EX	13715-63010	
	VISTA1800/2000, CARINA1800	SA60,					13715-63011	
	MARKII1800, CHASER1800							
	CRESTA1800, CORONA1800							
	CELICA	ST1 7 0 / 180 / 190	3S-FE	2000	86-	IN	13711-74020	
	CORONA						13711-74030	
	CAMRY						13711-74040	
						EX	13715-74020	
							13715-74030	
							13715-74050	
						13715-74060		
	CELICA 1400	TA10, 15, 16, 20	T	1400	70-	IN	13711-25010	
	CORONA 1400	TE20, 25, 30, 35, 36,	2T	1600	70-	EX	13715-25010	
	SPRINTER 1400	40, 45, 50, 60	2TB					
	CARINA 1400							
	CELICA 2000	RA23/28/40	2T-G	1588	71-	IN	13711-88210	
	CORONA MARKII 2000	RX30 / 31 / 63					13711-88222	
			3T-G	1770		EX	13715-88222	
	CAMRY, MARKII, CARINA,	TA12/14/17/18/19/ 22/ 27	2T	1600	72-	IN	13711-25011	
	SPRINTER, CELICA,	30/31/35/40/41/42/45	2TC	1800	76-			
	TOWNACE,	/49/61/67/71/71	3T		78-			
	CHASER, LITEACE, COROLLA,	TT100/106/110/120/125	3TC			EX	13715-25011	
	TOWNACE, CORONA, CRESTA	/130/138/147, TR10/11						
		TE21/ 27/ 31/ 37/ 47/ 51/ 52						
	/ 55/56/61/62/65/66/71							
	/ 73/75							
	PUBLICA800	UP10/16/26	U	2	700	IN	13711-10010	
	MINIACE800	UP100	2U	2	800	EX	13715-10010	



CAPT. PREMIUM ENGINE VALVE

CAPT No.	Vehicle Model Chassis Type	Engine Code	No. of Cyl.	CC	Year	IN EX	O.E. Part NO.	Remark
----------	-------------------------------	-------------	-------------	----	------	----------	---------------	--------

TOYOTA

	TOWNACE HILUX HIACE MASTERACE LITEACE	YR20/21 / 22/26, YM21 / 25 YH50 / 51 / 60 / 61 / 71	1Y 2Y 3Y 4Y	4 4 4 4	1600 1800 2000 2100	83- 83- 83- 83-	IN EX 	13711-71010 13711-71020 13715-71010 13715-71020	
	LAND CRUISER	DIESEL	1HZ 1HDT		2800		IN EX	13711-17010 13711-05010 13715-17010 13715-05010	
	HIACE	RZH100, 103125	1 RZ 2RZ		2000 2500	89-	IN EX	13711-75020 13711-75030 13711-75040 13715-75010 13715-75020 13715-75030	
	4 RUNNER PICKUP	VZN100 / 130	3VZE		3000		IN EX	13711-65010 13711-65020 13715-65010 13715-65020	
	DYNA WIDE	WV26	IW		J4000	83-	IN EX	13711-78010 13715-78010	
	GAMRY						IN EX	13711-02010 94849132 13715-02010 94845133	
				4	2200	92-	IN EX	13711-03020 13715-03020	
	COROLLA SPRINTER TERCEL (SUB VALVE FOR 3E & 3EE)		4E 5E 3E	4 4	1500	87-	IN EX	13711-11010 13711-11011 13712-11020 13715-11030	
	COROLLA SPRINTER				1600		EX	13711-15050 13711-15060 13711-15071 13711-15081 94847343 13715-15030 13715-15040 13715-15050 13715-15060 94847344	
	COROLLA		4AFE			93-	IN EX	13711-15090 94853629 13715-15070	
							IN EX	13711-23011 13715-23011	



CAPT. PREMIUM ENGINE VALVE

CAPT No.	Vehicle Model Chassis Type	Engine Code	No. of Cyl.	CC	Year	IN EX	O.E. Part NO.	Remark
----------	-------------------------------	-------------	-------------	----	------	----------	---------------	--------

TOYOTA

	CORONA / TOYOACE / HIACE FORKLIFT		3P		1300		IN EX	13711-23020 13715-23020	
	CROWN		2M 4M		2000 2300 2600		IN EX	13711-41011 13711-41012 13715-41011 13715-41012	
							IN EX	13711-50010 13715-50010	
	LEXUS LS400 / SC400				4000	90-	IN EX	13711-50020 13715-50020	
	LAND CRUISER, COASTER DYNA TOYOACE		4B		3000		IN EX	13711-56050 13715-56050	
	CAMRY LEXUS ES 250	VZV21	2VZ		2000 2500	88-91	IN EX	13711-62020 13715-62020	
	CAMRY LEXUS ES300		5VZ		3000	92-	IN EX	13711-62030 13715-62030 13715-62050	
	LAND CRUOSER		1FZ		4500	92-	IN EX	13711-66020 13711-66030 13715-66020 13715-66030	
	CRESSIDA	GX81, 1G				88-	IN EX	13711-70050 13715-70050	
	CELICA(3SGELC ENGINE)		3SGEL		2000	86-87	IN EX	13711-88360 13711-88361 13715-88360	
	ESTIMA PREVIA		2TZ-F		2400	90-	IN EX	13711-76020 13715-76020 113715-76030	
							IN EX	13711-87305 13715-87305	
							IN EX	13711-88300 13715-88300	
	FORKLIFT		4P		1500		IN EX	13711-23021 13715-23021	
	DYNA WIDE (WV26)		1W WU		4000	83-	IN EX	13711-78010 13715-78010	
	FORKLIFT		IDZ				IN EX	13711-78200-71 13715-78200-71	
	FORKLIFT		IZ				IN EX	13711-78300-71 13715-78300-71	



CAPT. PREMIUM ENGINE VALVE

CAPT No.	Vehicle Model Chassis Type	Engine Code	No. of Cyl.	CC	Year	IN EX	O.E. Part NO.	Remark
----------	-------------------------------	-------------	-------------	----	------	----------	---------------	--------

TOYOTA

	CAMRY CELICA	3S-F 5S	4	2000		IN EX	13711-74080 13711-74090 13715-74080 13715-74090	
	COROLLA AE102	4AFE 7AFE	4	1800		IN EX	13711-16060 13715-16060	
	4 RUNNER HI LUX	3RZ	4	2800		IN EX	13711-75060 13715-75050	
						IN EX	13711-20020 13711-0A010 13715-20020 13715-0A010	
		15B			96-	IN EX	13711-58030 13715-58070	
						IN EX	13711-78102-71 13715-78102-71	
						IN EX	13711-55010 13715-55010	
						IN EX	13711-46021 13711-46022 13715-46020	
		11B				IN EX	13711-56060 13715-56060	
						IN EX	13711-16040 13715-16040	



CAPT. PREMIUM ENGINE VALVE

CAPT No.	O.E. Part NO.	Year	Engine Code	No. of Cyl.	VEHICLE		IN EX	Dimensions						Remark
					NAME	MODEL		HD	OL	SD	SA	HS	CG	

V.W. / AUDI

	056-109-601A 056-109-611A						IN EX	34 31.2	99 98.5	8 8	45° 45°	A D	11 11	
					V.W. 1300		IN EX	33.1 31.8	111.6 111.6	8 8	45° 45°	D C	11 11	
	311-109-601 113-109-612A		62/70 56/74		V.W. 1500 V.W. 1600		IN EX	35.5 32	112 112	8 8	45° 45°	C D	11 11	
	049-109-601 H 026-109-611A			4	V.W. 1800 (SANTANA) AUDI 5000 GAS		IN EX	 33	 91.1	8 8	45° 45°	A A	11 11	035-109-601H 035-109-611H
	030-109-601 C 030-109-611A				V.W. GOLF		IN EX	36 28.9	99.3 99	8 8	45° 45°	C C	11 11	

VOLVO

	463395-4 463526-4				244 GLE		IN EX	44 35	110.5 110.8	8 8	45° 45°	C D	11 11	
--	----------------------	--	--	--	---------	--	----------	----------	----------------	--------	------------	--------	----------	--



CAPT. PREMIUM ENGINE VALVE

CAPT No.	O.E. Part NO.	Year	Engine Code	No. of Cyl.	VEHICLE		IN EX	Dimensions						Remark
					NAME	MODEL		HD	OL	SD	SA	HS	CG	

MECRCEDES BENZ

	V90049	70		4	3520530101	OM 314	IN	44	140.5	9	45°	A	2	
	V90168	74		6	3520531505	OM 352 TRUCK	EX	36	140.5	10	45°	C	2	
	V90047	68		6	3550530001	OM 355	IN	42	130.7	9	60°	A	2	
	V90048				3550530005		EX	37.2	166	9	60°	A	2	
					234005PJ TRWT2741			53	162	10	45°	A	7	
				6	3460530001	OM 346	IN	42	129.8	9	45°	A	2	
					3460530005	TRUCK	EX	37	165.3	9	45°	A	2	
						OM 355T	IN	42	130.6	9	30°	A	2	
							EX	37	165.9	9	30°	A	2	
						OM 360 BUS	IN	54	150	10	45°	A	2	
							EX	43	150	10	45°	A	2	
	1608/2				TRWT	OM 402	IN	59	142.5	12	30°	A	2	
							EX	51	142.5	12	45°		2	
							IN	40	131.5	70	60°			
	16012				TRW	OM 444	IN	59	142.5		30°	A	7	
	16011						EX	51	142.5		45°	A	7	
	16117				TRW		IN	59	142.5		30°	A	7	
	16116						EX	51	142.5		45°	A	7	



CAPT. PREMIUM ENGINE VALVE

CAPT No.	O.E. Part NO.	Year	Engine Code	No. of Cyl.	VEHICLE		IN EX	Dimensions						Remark
					NAME	MODEL		HD	OL	SD	SA	HS	CG	

FIAT

					FIAT 85S		IN EX	36 33	108.6 108.7	8 8	45° 45°	A A	7	
					FIAT 2000cc		IN EX	43.5 36	105.8 105.8	8 8	45° 45°	C A	7	
	4265695 4377979				FIAT 900cc FIAT 127		IN EX	29.1 26	95.4 95.9	7 7	45° 45°	C D	7	
					FIAT 1500cc		IN EX	35 31.5	109.7 104.9	8 8	45° 45°	A A	15	
					FIAT 128		IN EX	36 31	106.6 109	8 8	45° 45°	A A	7	
					TIPO		IN EX							
					FIAT 128		IN EX	36 31	108.6 109	8 8	45° 45°	A A	7	
					FIAT 132		IN EX	42.5 36.4	106.5 105.8	8 8	45° 45°	C A	7	
	4621511 4673608				FIAT 480		IN EX	44 37	126 125.5	8 8	45° 45°	A A	7	

HILLMAN

	1218394 1218383				HUNTER 1725	PAYKAN	IN EX	36.5 30	118.4 118.6	8 8	45° 45°	C A	7	
	71262713				AVENGER 1600 STD	100.8	IN EX	38 31.2	110 110	8 8	45° 45°	C C	7	25552400 25552800
	71262714				AVENGER 1600 0.076 O/S	100.9	IN EX	38 31.2	110 110	8 8	45° 45°	C C	7	25552500 25552900
	71262715				AVENGER 1600 0.38 O/S		IN EX	38 31.2	110 110	8.3 8.3	45° 45°	C C	7	25552600 25553000
	71262716				AVENGER 1600 0.74 O/S		IN EX	38 31.2	110 110	8.7 8.7	45° 45°	C C	7	25552700 25553100



CAPT. PREMIUM ENGINE VALVE

CAPT No.	O.E. Part NO.	Year	Engine Code	No. of Cyl.	VEHICLE		IN EX	Dimensions						Remark
					NAME	MODEL		HD	OL	SD	SA	HS	CG	

FORD

	V34059	65		4	723F6507/AAA	"D" "M" & "N" SERIES	IN	45	155.6	9.6	60°	A	3	
	V90163	68		6	723F6505/GAA		EX	39	156.4	9.6	60°	A	3	
	V34048	64		3	C5NN65078	DEXTA2000/260 6600/6700	IN	45.8	146	9.5	45°	A	3	
		74				8600/8700								
	V34049	79		4	C5NN6505E	5000	EX	38.4	146	9.5	45°	D	15	
	42-13				D3NN-6507A	2600-3600 4600-5600 6600-7600	IN	46	145.6	9.5	45°	A	3	
	43-13				D3NN-6505A		EX	38.1	145.9	9.5	45°	A	15	
					711M-6507KA	FIERA 3000-4000/PE	IN	38	110.9	7.9	45°	C	11	
					711M-6505GA		EX	31.4	110.6	7.9	45°	A	11	
					70HM-6507D3C	CORTINA	IN	42	111.2	8.4	45°	C	11	
					70HM-6505D3C		EX	36	110.5	8	45°	C	11	
					FOHM-6507F- D3E		IN	42	111.3	8.4	45°	C	11	
					FOHM-6505-D3E		EX	36	110.7	8	45°	C	11	



CAPT. PREMIUM ENGINE VALVE

CAPT No.	O.E. Part NO.	Year	Engine Code	No. of Cyl.	VEHICLE		IN EX	Dimensions						Remark
					NAME	MODEL		HD	OL	SD	SA	HS	CG	

LADA

	2101-1007010			4			IN	37	112.7	8	45°	A	7	
	2101-1007012						EX	31.5	113.7	8	45°	A	7	
	2108-1007010				SAMARA		IN	35	104	8	45°	A	11	
	2108-1007012				1300/1500		EX	31.5	104	8	45°	A	11	

LAND ROVER

	527240	58			V3085	88-109	IN	39.3	116.7	8	45°	A	7	
	550198	72			V3572	DIESEL SANTANA	EX	33.3	117.1	8.7	45°	A	7	
	277593				V3195	88-109	IN	44.5	111.5	8	60°	A	7	
	557967	59			V34365/3573	GASOLINA SANTANA	EX	35	111.5	8.7	45°	A	7	
	112999					88	IN	39.5	117	8	60°	A	7	
	113000					TURBO DIESES	EX	33.5	117.5	8.7	45°	A	7	

LEYLAND

	10616646			4	LEYLAND 401		IN	45.7	145.9	8.7	45°	A	7	
	10618851						EX	42.7	145.9	8.7	45°	A	7	



CAPT. PREMIUM ENGINE VALVE

CAPT No.	O.E. Part NO.	Year	Engine Code	No. of Cyl.	VEHICLE		IN EX	Dimensions						Remark
					NAME	MODEL		HD	OL	SD	SA	HS	CG	

LISTER

	V3642	61			201-19350	SL 1/2/3/4 LD111	IN	32.3	119.9	8	45°	A	7	
	V3621	67			201-19360	LR	EX	29.4	119.9	8	45°	A		
	V3643	57			351-10361	HA, HA2, FRD. HA3, HS6, HIGH	IN	46.8	137.5	9.6	45°	A		
	V3644	69			'291-50150	SPEED AND 352	EX	38.9	137.5	9.6	45°	A		
	V34296	67		2	351K-50402	HR, HRW 2/3 4/6	IN	48	137.2	9.5	45°	A		
	V34297			6	351F-50430	HRWS 6	EX	40.8	137.2	9.5	45°	A		
	V34266	67		4	201-50871	S R 1/2/3/4	IN	39.7	120	8.8	45°	A		
	V34267				201-50891	SW1/2	EX	33.5	120.3	8.8	45°	A	7	
	V2947	49		2	201-10363	LD1/2 LR1/2	IN & EX	29.4	113.1	8	45°	A	7	
	34955				201-80250	ST	IN	42.6	120.1	8.7	45°	A	7	
	34956				201-80241		EX	35.6	120.7	8.7	45°	A	7	



CAPT. PREMIUM ENGINE VALVE

CAPT No.	O.E. Part NO.	Year	Engine Code	No. of Cyl.	VEHICLE		IN EX	Dimensions						Remark
					NAME	MODEL		HD	OL	SD	SA	HS	CG	

PEUGEOT

	0948-30		204	4	PEUGEOT 204		IN	37	126.4	8	60°	C	7	
	0949-28						EX	29.5	125.5	8	45°	C	7	
	0948-47		305	4	PEUGEOT 305		IN	40	109	8	45°	C	7	
	0949-52						EX	33	108.2	8	45°	A	7	
	0948-34		404	4	PEUGEOT 404		IN	41.5	118.5	8	60°	C	7	0948-30
	0949-21						EX	35.5	112	8	45°	C	7	0949-21
	0948-33		504	4	PEUGEOT504 504 INYECCION 1.8L		IN	42.5	118.5	8	60°	C	7	0948-29
	0949-27						EX	35.5	112	8	45°	C	7	
	0948-55		505	4	PEUGEOT505 505 INYECCION 2.0L		IN	42.6	118.6	8	60°	C	7	
	0949-55						EX	35.6	112.1	8	45°	C	7	
	0948-27 0949-27 0949-25		404	4	PEUGEOT 404(D)		IN	40.4	117	8.5	45°	C	7	
							EX	33.5	116.2	8.5	45°	A	7	
	0948-34 0948-37 0949-25		504	4	PEUGEOT 504 (D)		IN	40.4	116.3	8.5	45°	C	7	
							EX	33.5	116.4	8.5	45°	A	7	
	0948-37 0949-25		505	4	PEUGEOT 505(0)		IN	40.4	116.3	8.5	45°	A	7	
							EX	33.5	116.4	8.5	45°	A	7	



CAPT. PREMIUM ENGINE VALVE

CAPT No.	O.E. Part NO.	Year	Engine Code	No. of Cyl.	VEHICLE		IN EX	Dimensions						Remark
					NAME	MODEL		HD	OL	SD	SA	HS	CG	

RENAULT

				4	R4		IN	28.2	73	7	45°			
							EX	25	73.7	7	45°	D	8	
					4L R4L		IN	28.2	73.2	7	45°	D	3	
							EX	25	73.7	7	45°	D	8	
	7701458186/0			4	R5, R12	RENAULT 1100/1300	IN	33.3	89.8	7	45°	C	7	7700509771
	7701458190				R5GTL		EX	30.3	89.2	7	45°	C	8	7700505115
	770561318		688		4S		IN	33.3	89.8	7	45°	C	3	
	7700505115						EX	30.1	89.2	7	45°	C	8	
	7700639627 7701462137 7700638247				18TL		IN	34	91.5	7	30°	C	7	7700561319
							EX	29	89	7	45°	C	8	7700505115
	7700629763 7700639199				18GTS R18		IN	36	105	8	45°	C	7	
							EX	31.5	103.7	8	45°	C	11	
	7701463081 7701463510				R21		IN	38	111.5	8	30°	A	7	
							EX	32.4	111.4	8	45°	C	7	
					18TX	RENAULT2000	IN	44	112	8	30°	C	7	
							EX	38.6	111.4	7	45°			
	TT01462137				R9, R11	RENAULT 1400	IN	34	91.5	7	45°	C	7	
	TT01461802						EX	29	89	7	45°	C	8	



CAPT. PREMIUM ENGINE VALVE

CAPT No.	Vehicle Model Chassis Type	IN EX	O.E. Part NO.	Remark
----------	-------------------------------	----------	---------------	--------

CATERPILLAR

	3304T	IN EX	7N0572 6N9915 7N0573 6N9916	
	3304NT 6DC/D4D	IN EX	5S6452 5S7273 5S6449	
	3204NA	IN EX	8N5645 8N0875	
	3204T	IN EX	9L7682 9L7683	
	3304T	IN EX	6N9915 6L9916	
	NAT	IN EX	9N0180 9N0185	
	6DC D4D	IN EX	7M7817 9M4163 7M7359	
	D9	IN EX	8H7097 8H3723	
	D7 D8	IN EX	2A3447 2A3497 6F4922	
	D7H D8H	IN EX	8H1993 8H1994	
	D343	IN EX	2M6402 2M6403	
	D3406	IN EX	4N5654 2W2622 IW3859 4N5653 IW3860	
		IN EX	1P407 1P2629 2S0978 8N3725	
		IN EX	2S8143 IS2903	
		IN	9N6117 2W2621	
		IN EX	7S8809 9N5125	



CAPT. PREMIUM ENGINE VALVE

CAPT No.	Vehicle Model Chassis Type	IN EX	O.E. Part NO.	Remark
----------	-------------------------------	----------	---------------	--------

KOMATSU

	D155A(4D155) D355A(6D155)	IN EX	6127-41-4112 6127-41-4113 6127-41-4214	
	4D130	IN EX	6114-41-4110 6114-41-4210	
	4D105	IN EX	6136-41-4110 6136-41-4210	
	NTA855 NT855	IN EX	6710-41-4210 6712-41-4110 6710-41-4210	
	4D105 S4D105	IN EX	6130-41-4121 6130-41-4131 6130-41-4210	
	HN220	IN EX	6610-41-4110 6610-41-4210	
	S4D120 4D120	IN EX	6110-41-4110 6110-41-4210	
	NH250	IN EX	135957 145701	
	6DI15	IN EX	6101.41-4110 6101.41-4210	
	D455 DA20A DA21A	IN EX	6140.41-4110 6140-41-4210 6140-41-4211	
	6D95	IN EX	6209-41-4110 6209-41-4210	
	6D125	IN EX	6150-41-4111 6150-41-4210	
	6D170	IN EX	6162-43-4110 6162-43-4210	



CAPT. PREMIUM ENGINE VALVE

CAPT No.	O.E. Part NO.	Year	Engine Code	No. of Cyl.	VEHICLE		IN EX	Dimensions						Remark
					NAME	MODEL		HD	OL	SD	SA	HS	CG	

PERKINS

	V3363	53		3	31411281	D3,152 MARINE	IN	39	114.3	8	45°	A	7	
	V3364	70			31431591	DIESEL	EX	33.3	114.3	8	45°	C	7	
	V3365			6	31431641	4236 TRACTOR	IN	44.3	123	9.5	45°	A	7	
	V3366	60			31431109	6.354								
	V34789	-			31431881	6.352(STD)	EX	36.6	123.2	9.5	45°	A	7	
						MARINE DIESEL	EX	36.5	123.3	9.5	45°	A	7	
				6	31421401		IN	44.5	123	9.6	45°	A	7	0.1 O/S
					31431882		EX	36.5	123.3	9.6	45°	A	7	
				4	31431981		IN	39	114.2	8	30°	C	7	
					31431991		EX	33.4	114.2	8	30°	A	7	



CAPT. PREMIUM ENGINE VALVE

CAPT No.	O.E. Part NO.	Year	Engine Code	No. of Cyl.	VEHICLE		IN EX	Dimensions						Remark
					NAME	MODEL		HD	OL	SD	SA	HS	CG	

YANMAR

					TA70		IN	32.5	88.5	7	45°	A	3	
					A7									
					SA70		EX	26.5	88.5	7	45°	A	3	
					TA80		IN	35.5	95	7	45°	A	3	
					A8		EX	30	95	7	45°	A	3	
					SA80									
					TF75		IN	32.5	84	7	60°	A	3	
					TF85		EX	27.5	83.5	7	45°	A	3	
					TF105		IN	37	96.4	8	60°	A	3	
							EX	31	96.4	8	45°	A	3	
					SK230		IN	29	87.2	7	45°	A	3	
							EX	26	87.3	7	45°	A	3	
					D800		IN	30	92.2	6.6	45°	A	7	
							EX	28	91.7	6.6	45°	A	7	
	173200-11100				F4		IE	26.5	93.5	7	60°	A	3	
					NT65									
	101204-11100				F5		IE	28.8	104	7	60°	A	3	
					NT70									
	101300-11100				F6		IE	31	107	8	60°	A	3	
					NT75									
	102700-11100				F7		IE	33	112	8	60°	A	3	
					NT80									
	101400-11100				NT85		IE	35	118	9	60°	A	3	
	173500-11100				NT95		IE	40	130	10	60°	A	3	
	103300-11100				NT110		IE	47	167	12	60°	A	3	
	104100-11100				TS50,TH3		IN	28.5	92.5	7	45°	A	3	
	104100-11110						EX	24.5	92.5	7	45°	A	3	
	104200-11100				TS60,TH4		IN	32	96.8	7	45°	A	3	
	104200-11110						EX	27	96.8	7	45°	A	3	
	101218-11100				TS70/80		IN	33.5	106	7	45°	A	3	
					TH6									
	101218-11110				TH5		EX	27.5	106	7	45°	A	3	
	103438-11100				TS105		IN	36.5	113	8	45°	A	2	
	103438-11110				TH7		EX	30.5	113	8	45°	A	2	
	104600-11100				TS130		IN	38.5	114	8	45°	A	3	
					A12									
	104600-11110				TH8		EX	32.5	114	8	45°	A	3	
	103854-11100				TS155		IN	39.5	126	9	45°	A	7	
	103854-11110				TH10		EX	35.5	126	9	45°	A	7	
	103954-11110				TS180		IN	43	125	9	45°	A	7	
	103954-11110				TH13		EX	33.5	126	9	45°	A	7	



CAPT. ENGINE TECHNOLOGY INC.

No. 287, Sec. 3 Ming Teh N.Rd. Tou-Liu City, Yun-Lin Hsien, Taiwan

Tel:+886-5-5328511(Rep.) Fax:+886-5-5320867

Email : ming.yang2@msa.hinet.net

<http://www.mingyang-group.2u.com.tw>

Captain your way